



T&S BRASS AND BRONZE WORKS, INC.
 2 Saddleback Cove / P.O. Box 1088
 Travelers Rest, SC 29690

Model No.
MV-0771-12C

Item No.

Travelers Rest, SC: 800-476-4103 • Simi Valley, CA: 800-423-0150 • Fax: 864-834-3518 • www.tsbrass.com

This Space for Architect/Engineer Approval

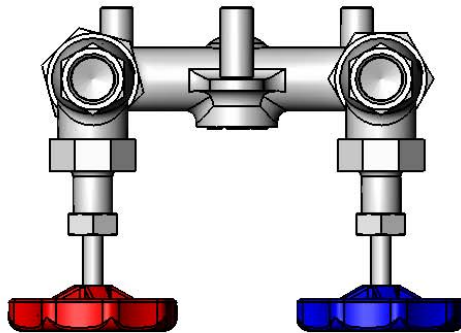
Job Name _____ Date _____

Model Specified _____ Quantity _____

Customer/Wholesaler _____

Contractor _____

Architect/Engineer _____

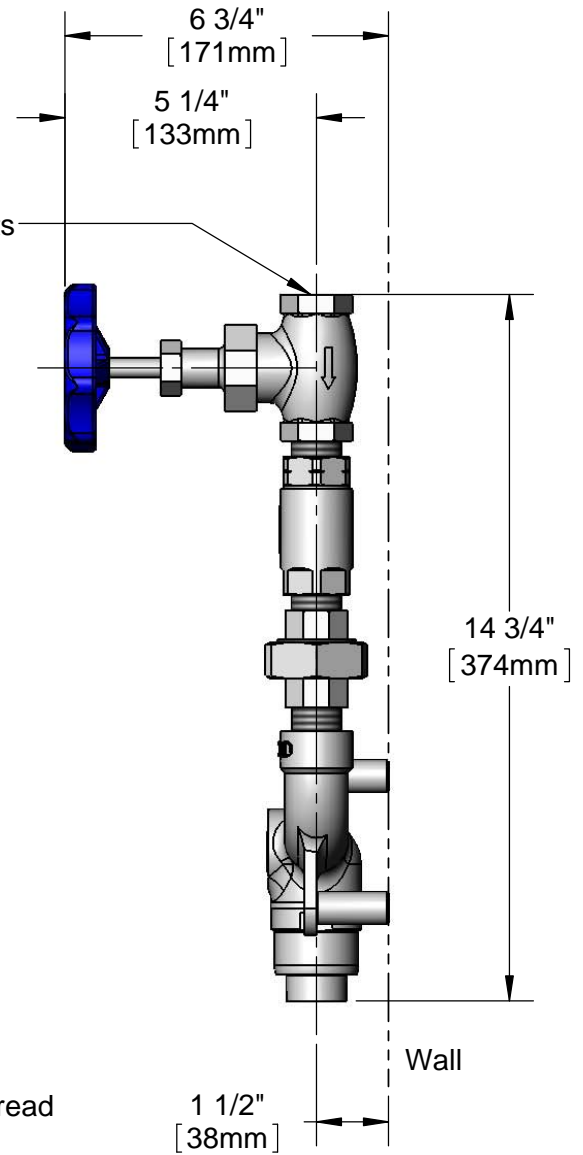
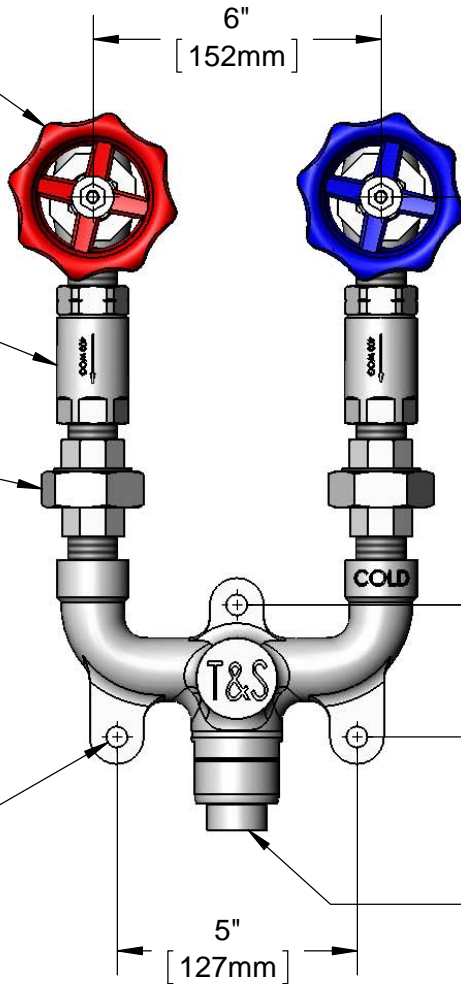


3/4" Globe Valves
w/ Color Coded
Handles

3/4" Check
Valves

3/4" Union

$\phi 7/16"$
[11mm]



Product Specifications:
 3/4" Mixing Valve w/ Check Valves, Globe Valves & 3/4" NPT Female
 Connections, Chrome Plated

Product Compliance:
 NSF 61 Exempt (Non-Potable)