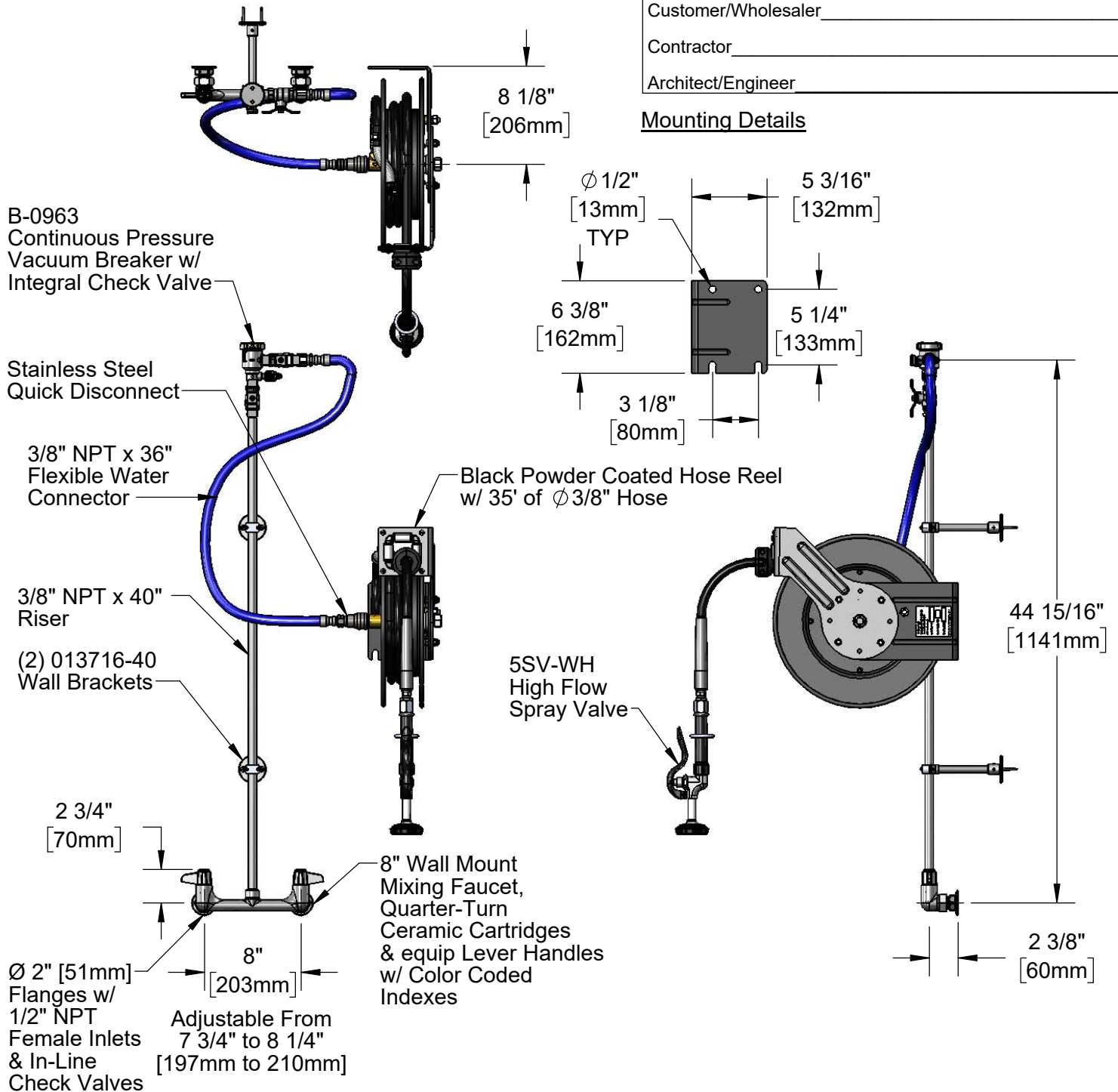


*This Space for Architect/Engineer Approval*

Job Name \_\_\_\_\_ Date \_\_\_\_\_  
 Model Specified \_\_\_\_\_ Quantity \_\_\_\_\_  
 Customer/Wholesaler \_\_\_\_\_  
 Contractor \_\_\_\_\_  
 Architect/Engineer \_\_\_\_\_

**Mounting Details**



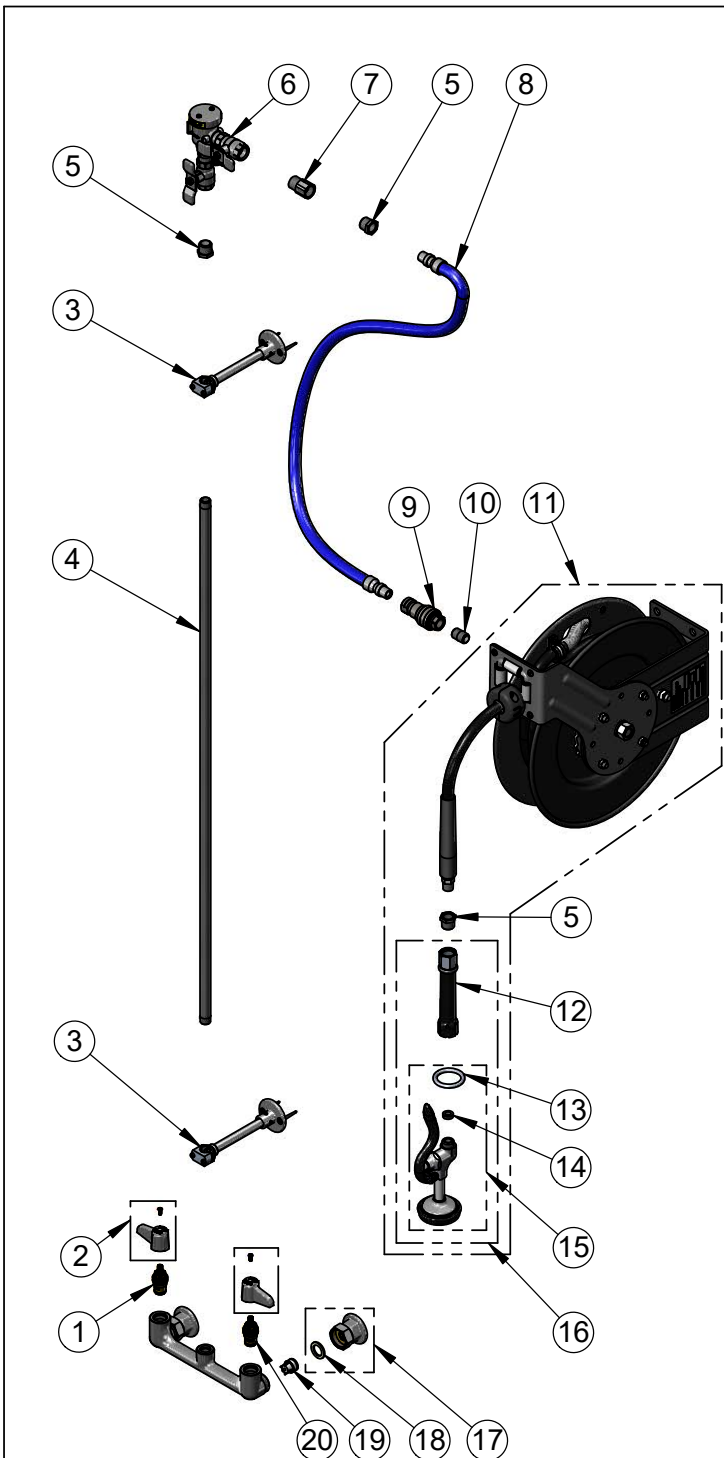
Model Number  
**5HR-232-01XE1**

Product Compliance:  
 NSF 61 Exempt (Non-Potable)  
 2019 DOE PRSV Non-Compliant  
 ASSE 1056 (VB)

Product Specifications:  
 Open Epoxy Coated Steel Hose Reel w/ 35' of 3/8" Hose,  
 High Flow Spray Valve, Vacuum Breaker, 3/8" NPT Flexible  
 Water Hose, 8" Wall Mount Mixing Faucet w/ In-Line Check Valves,  
 1/2" NPT Female Inlets, & (2) Wall Brackets

equip  
 Foodservice  
 Accessories

2 Saddleback Cove, P.O. Box 1088  
 Travelers Rest, South Carolina 29690  
 Phone: 800.891.4808 Fax: 800.868.0084  
 equip.tsbrass.com



ITEM NO.	SALES NO.	DESCRIPTION
1	013787-45	equip Ceramic Cartridge, RTC
2	5-HDL-L	equip Lever Handle w/ Color Coded Screws
3	013716-40	6" Wall Bracket
4	002558-40	3/8" NPT x 40" Riser
5	001359-40	Hex Bushing, 1/2" NPT Male x 3/8" NPT Female
6	B-0963	Continuous Pressure VB w/ Integral Check Valve
7	015073-40	Check Valve w/ 1/2" NPT Adapter
8	HW-2B-36	3/8" NPT x 36" Flexible Water Hose
9	AW-5B	3/8" NPT Quick Disconnect
10	002535-25	3/8" Close Nipple
11	5HR-232-01	35' of 3/8" equip Open Coated Hose Reel
12	5HR-HDL	Hose Reel Grip Handle
13	000907-45	Spray Valve Hold Down Ring
14	010476-45	#27 Washer
15	5SV-H	High Flow Spray Valve
16	5SV-WH	High Flow Spray Valve, Handle, & Ring
17	00AA	1/2" NPT Female Inlet Flange
18	001019-45	Coupling Nut Washer
19	013840-45	20mm Check Valve
20	013788-45	equip Ceramic Cartridge, LTC

Model Number  
**5HR-232-01XE1**

Product Compliance:  
NSF 61 Exempt (Non-Potable)  
2019 DOE PRSV Non-Compliant  
ASSE 1056 (VB)

Product Specifications:  
**Open Epoxy Coated Steel Hose Reel w/ 35' of 3/8" Hose, High Flow Spray Valve, Vacuum Breaker, 3/8" NPT Flexible Water Hose, 8" Wall Mount Mixing Faucet w/ In-Line Check Valves, 1/2" NPT Female Inlets, & (2) Wall Brackets**

equip  
Foodservice  
Accessories



2 Saddleback Cove, P.O. Box 1088  
Travelers Rest, South Carolina 29690  
Phone: 800.891.4808 Fax: 800.868.0084  
equip.tsbrass.com