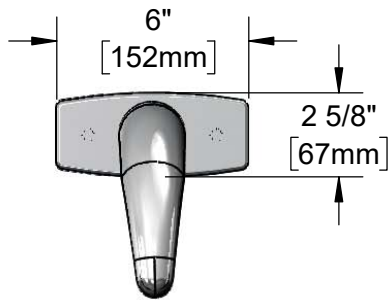


This Space for Architect/Engineer Approval

Job Name _____ Date _____
 Model Specified _____ Quantity _____
 Customer/Wholesaler _____
 Contractor _____
 Architect/Engineer _____



ADA Compliant



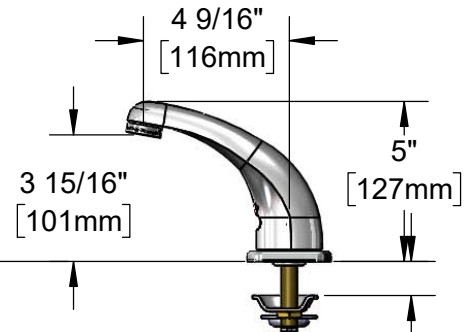
Polished Chrome Plated
Solid Brass Cast Spout
w/ 2.2 GPM [8.3 LPM]
VR Aerator & Key

Polished Chrome Plated
Deck Plate w/ Deck Gasket

24" [610mm]
Sensor Cable

1/4" NPSM Female x 1/2" NPSM
Female x 18" [457mm] Long
Flexible Stainless Steel Hose.

Mounting Surface



4"
[102mm]

Removable Strainer
Mechanical Mixing Valve
w/ Integral Check Valves

3 5/8" x 4 3/16" x 2" Deep
[92mm x 106mm x 51mm]
Control Module Box (Black)
w/ Water Resistant Connections.
AC or DC Operated w/ (4) AA
Batteries

1 1/16"
[27mm]
Maximum
Thickness

100-240 VAC Adapter
71" [1800mm] Long
Power Cord. (Remove
Rubber Plugs on Module
and Cable to Connect)

(2) 3/8" Compression x 1/2" NPSM
18" [457mm] Flexible Stainless Steel
Supply Hose

Rough-In Requirement:
 ϕ 1" [25mm] Center Hole
 (2) ϕ 1 1/8" [28mm] Side Holes

Model Number

5EF-1D-DS-4DP

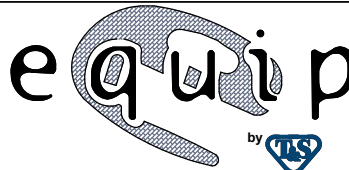
Product Specifications:

Electronic Faucet: Cast Brass Single Hole Deck Mount, 4" Deck Plate, Temperature Control Mixing Valve w/ Check Valves, (2) 18" Flexible Supply Hoses & AC-DC Control Module

Product Compliance:

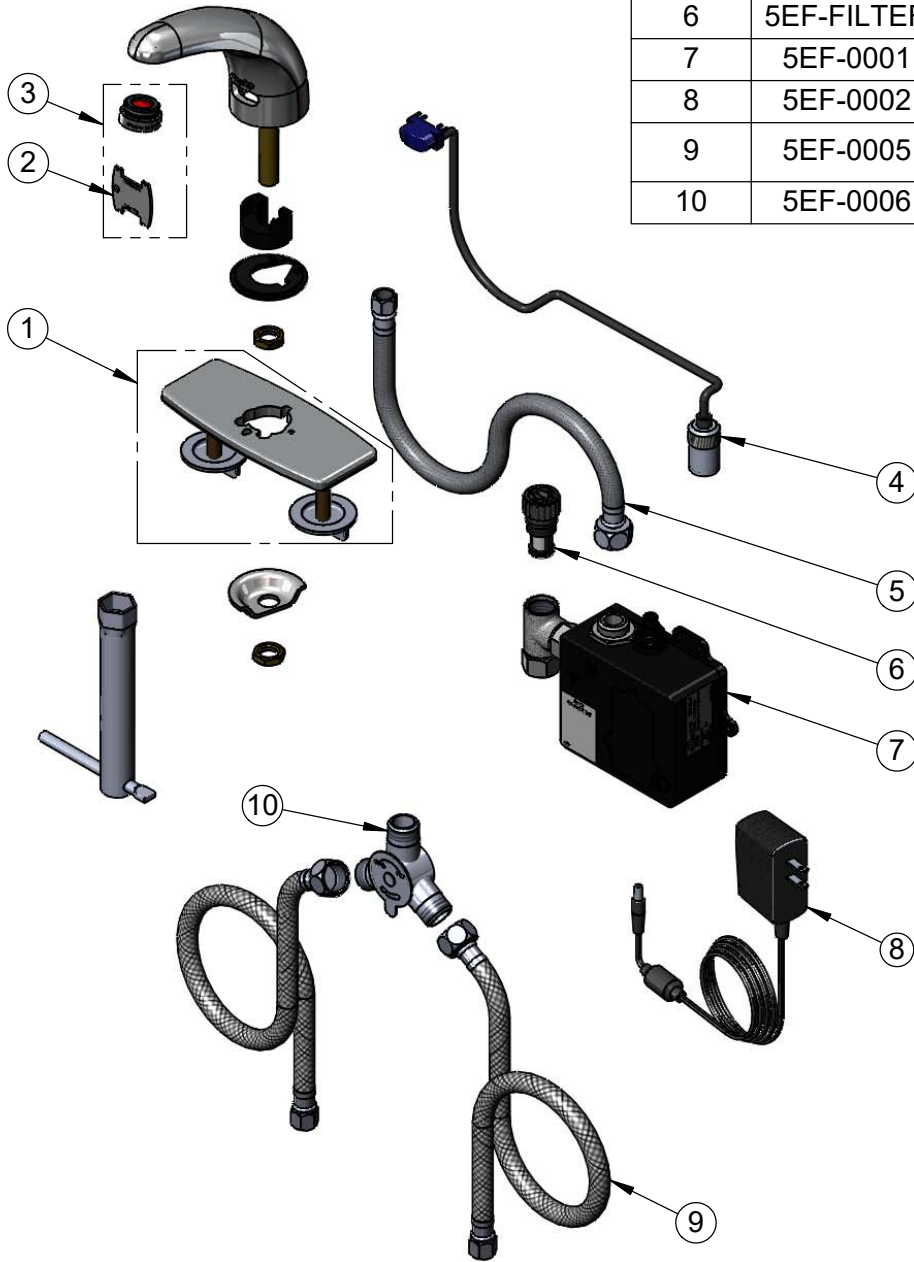
ASME A112.18.1 / CSA B125.1
 NSF 61 - Section 9
 NSF 372 (Low Lead Content)
 ANSI A117.1 (ADA)
 UL 1951

equip
Foodservice
Accessories



2 Saddleback Cove, P.O. Box 1088
 Travelers Rest, South Carolina 29690
 Phone: 800.891.4808 Fax: 800.868.0084
 equip.tsbrass.com

ITEM NO.	SALES NO.	DESCRIPTION
1	013433-40	4" Universal Deck Plate, Gasket & Mounting Hardware
2	015425-45	Vandal Resistant Key
3	B-0199-09	VR 2.2 GPM Aerator, 15/16-27 Male w/ Key
4	5EF-0004	24" Sensor Cable
5	016297-45	Inlet Hose, Faucet, 1/2" NPSM-F x 1/4" NPSM-F
6	5EF-FILTER	Replacement Filter
7	5EF-0001	equip Sensor Faucet Control Module
8	5EF-0002	equip AC Transformer, 100-240- VAC
9	5EF-0005	Supply Hose, 9/16-24 Female x 1/2" NPSM
10	5EF-0006	Mechanical Mixing Valve



Model Number
5EF-1D-DS-4DP

Product Compliance:
ASME A112.18.1 / CSA B125.1
NSF 61 - Section 9
NSF 372 (Low Lead Content)
ANSI A117.1 (ADA)
UL 1951

Product Specifications:
Electronic Faucet: Cast Brass Single Hole Deck Mount, 4" Deck Plate, Temperature Control Mixing Valve w/ Check Valves, (2) 18" Flexible Supply Hoses & AC-DC Control Module

equip Foodservice Accessories



2 Saddleback Cove, P.O. Box 1088
Travelers Rest, South Carolina 29690
Phone: 800.891.4808 Fax: 800.868.0084
equip.tsbrass.com