



T&S BRASS AND BRONZE WORKS, INC.

2 Saddleback Cove / P.O. Box 1088
Travelers Rest, SC 29690

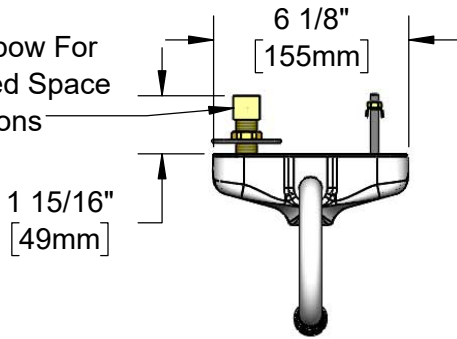
Model No.

EC-3105-VF5-TMV

Item No.

Travelers Rest, SC: 800-476-4103 • Simi Valley, CA: 800-423-0150 • Fax: 864-834-3518 • www.tsbrass.com

Short Elbow For
Restricted Space
Installations



ADA Compliant

This Space for Architect/Engineer Approval

Job Name _____ Date _____

Model Specified _____ Quantity _____

Customer/Wholesaler _____

Contractor _____

Architect/Engineer _____

1/2" NPSM x 3/8" NPSM
30" [762mm] Flexible
Stainless Steel Hose

Rigid Gooseneck
w/ B-0199-06-N05
0.5 GPM [1.9 L/min]
Vandal Resistant
Non-Aerated Spray Device

Solid Cast Brass Body w/
Polish Chrome Plated Finish

24" [610mm]
Sensor Cable

Removable
Strainer

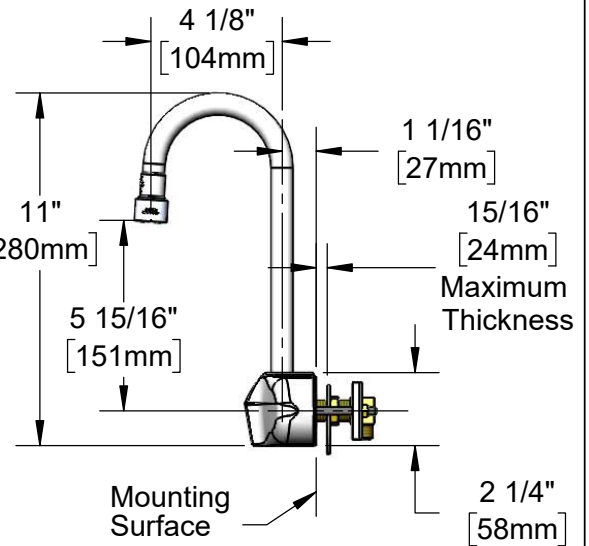
3 5/8" x 4 3/16" x 2" Deep
[92mm x 106mm x 51mm]
Water Resistant Control Module Box (Grey)
w/ Internal Flow Control Setting Switches,
AC or DC Operated w/ (4) AA Batteries.
Hardwire Capable Using Terminals on Back

100-240 VAC Adapter w/
71" [1800mm] Power Cable.
(Remove Rubber Plugs on
Module and Cable to Connect)

(2) 3/8" Compression x 1/2" NPSM
18" [457mm] Flexible Stainless Steel
Supply Hose

EC-TMV
ASSE 1070 Temperature Mixing
Valve w/ Integral Check Valves

Rough-In Requirement:
(2) 1" [25mm] Mounting Holes on 4" [102mm] Centers



Product Specifications:

Chrome Plated Brass Electronic Faucet: 4" Wall Mount Rigid Gooseneck w/ VR 0.5 GPM Non-Aerated Spray Device, AC/DC Control Module w/ Internal Flow Control Setting Switches, Thermostatic Temperature Control Mixing Valve w/ Integral Check Valves & 18" Hot & Cold Supply Stop Flexible Connector Hoses

Product Compliance:

ASME A112.18.1 / CSA B125.1
NSF 61 - Section 9
NSF 372 (Low Lead Content)
ANSI A117.1 (ADA)
UL 1951
ASSE 1070 (TMV)



T&S BRASS AND BRONZE WORKS, INC.

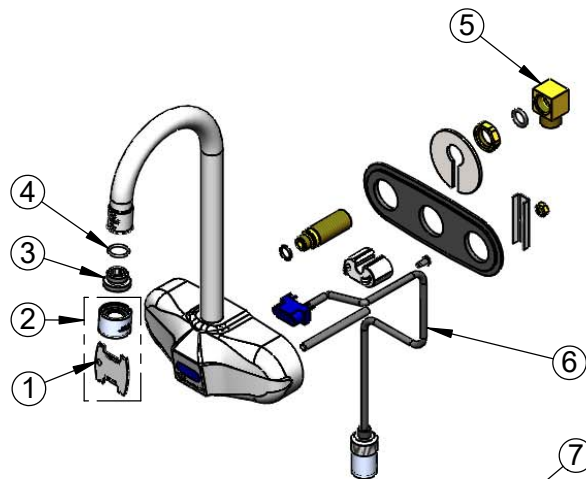
2 Saddleback Cove / P.O. Box 1088
Travelers Rest, SC 29690

Model No.

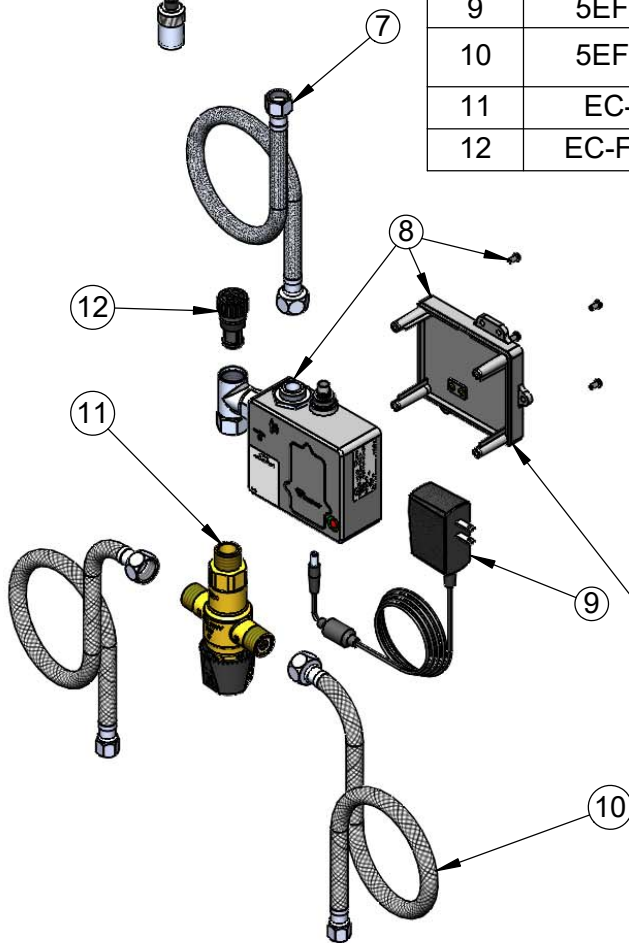
EC-3105-VF5-TMV

Item No.

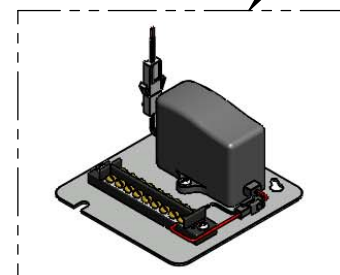
Travelers Rest, SC: 800-476-4103 • Simi Valley, CA: 800-423-0150 • Fax: 864-834-3518 • www.tsbrass.com



ITEM NO.	SALES NO.	DESCRIPTION
1	015425-45	Vandal Resistant Key
2	B-0199-06-N05	0.5 GPM VR Non-Aerated Spray Device, 55/64-27 Female
3	044A	3/8" to Aerator Adapter
4	006575-45	-015 O-Ring
5	015345-45	Low Profile Elbow, 3/8 NPSM
6	017195-45	Angled Sensor with Cable
7	016325-45	Flexible Connector Hose, 3/8" NPSM x 1/2" NPSM
8	016647-45	ChekPoint Control Module (Grey)
9	5EF-0002	A/C Transformer
10	5EF-0005	Supply Hose, 9/16-24 Female x 1/2" NPSM
11	EC-TMV	ASSE 1070 Thermostatic Mixing Valve
12	EC-FILTER	Replacement Filter



A Maximum of (8) ChekPoint Faucets can be Hardwire Connected and Powered by EC-HARDWIRE ChekPoint Hardwire AC Transformer. (Sold Separately)



Label for Flow Control Switch Settings is Located on Inside of Back Cover.

Flow Control Switches are Located Inside Module Housing in Black Box Next to Battery Compartment.
*Switches are Set to DEFAULT Position:
- Auto Time Out = 15 Seconds
- Shut Off Delay = 1 Second
- Auto Flush = OFF

***Available Water Flow Control Selections:**

- Auto Time Out: 15 sec, 30 sec, 45 sec, 60 sec, 3 min, 20 min
- Shut Off Delay: 1 sec, 10 sec, 15 sec, 30 sec
- Auto Flush (30 Seconds After Every 12 Inactive Hours): ON or OFF

Remove (4) Screws and Back Cover to Access Switches.

Product Specifications:

Chrome Plated Brass Electronic Faucet: 4" Wall Mount Rigid Gooseneck w/ VR 0.5 GPM Non-Aerated Spray Device, AC/DC Control Module w/ Internal Flow Control Setting Switches, Thermostatic Temperature Control Mixing Valve w/ Integral Check Valves & 18" Hot & Cold Supply Stop Flexible Connector Hoses

Product Compliance:

ASME A112.18.1 / CSA B125.1
NSF 61 - Section 9
NSF 372 (Low Lead Content)
ANSI A117.1 (ADA)
UL 1951
ASSE 1070 (TMV)