



T&S BRASS AND BRONZE WORKS, INC.

2 Saddleback Cove / P.O. Box 1088
Travelers Rest, SC 29690

Model No.

EC-3100-TMV4V05

Item No.

Travelers Rest, SC: 800-476-4103 • Simi Valley, CA: 800-423-0150 • Fax: 864-834-3518 • www.tsbrass.com



ADA Compliant



This Space for Architect/Engineer Approval

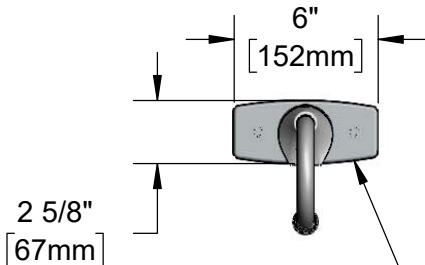
Job Name _____ Date _____

Model Specified _____ Quantity _____

Customer/Wholesaler _____

Contractor _____

Architect/Engineer _____



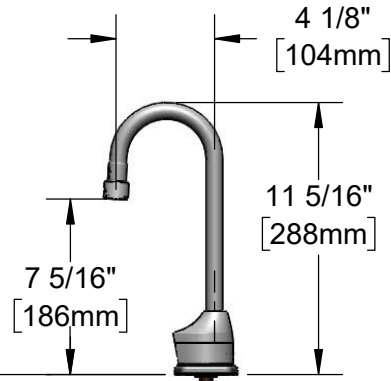
Polished Chrome Plated Deck Plate w/ Deck Gasket

3 5/8" x 4 3/16" x 2" Deep [92mm x 106mm x 51mm] Water Resistant Control Module Box (Grey) w/ Internal Flow Control Setting Switches, AC Plug-in, or DC Operated w/ (4) AA Batteries. Hardwire Capable Using Terminals on Back

Rigid Gooseneck w/ B-0199-06-N05 VR 0.5 GPM Non-Aerated Spray Device

24" [610mm] Sensor Cable

Removable Strainer



Mounting Surface

1 1/2" [38mm] Maximum Thickness

4" [102mm]

1/2" NPSM x 1/4" NPSM 18" [457mm] Flexible Stainless Steel Hose

100-240 VAC Adapter w/ 71" [1800mm] Power Cord. (Remove Rubber Plug on Module and Cable to Connect)

(2) 3/8" Compression x 1/2" NPSM 18" [457mm] Flexible Stainless Steel Supply Hose

Rough-In Requirement:
Ø 1" [25mm] Center Hole
(2) Ø 1 1/8" [29mm] Side Mounting Holes

EC-TMV
ASSE 1070 Thermostatic Temperature Mixing Valve w/ Integral Check Valves

Product Specifications:
Chrome Plated Brass Electronic Faucet: Single Hole Deck Mount Rigid Gooseneck w/ VR 0.5 GPM Non-Aerated Spray Device, AC/DC Control Module w/ Internal Flow Control Setting Switches, Thermostatic Temperature Control Mixing Valve w/ Integral Check Valves, 18" Flexible Stainless Steel Supply Hoses

Product Compliance:
ASME A112.18.1 / CSA B125.1
NSF 61 - Section 9
NSF 372 (Low Lead Content)
ANSI A117.1 (ADA)
UL 1951
ASSE 1070 (TMV)



T&S BRASS AND BRONZE WORKS, INC.

2 Saddleback Cove / P.O. Box 1088
Travelers Rest, SC 29690

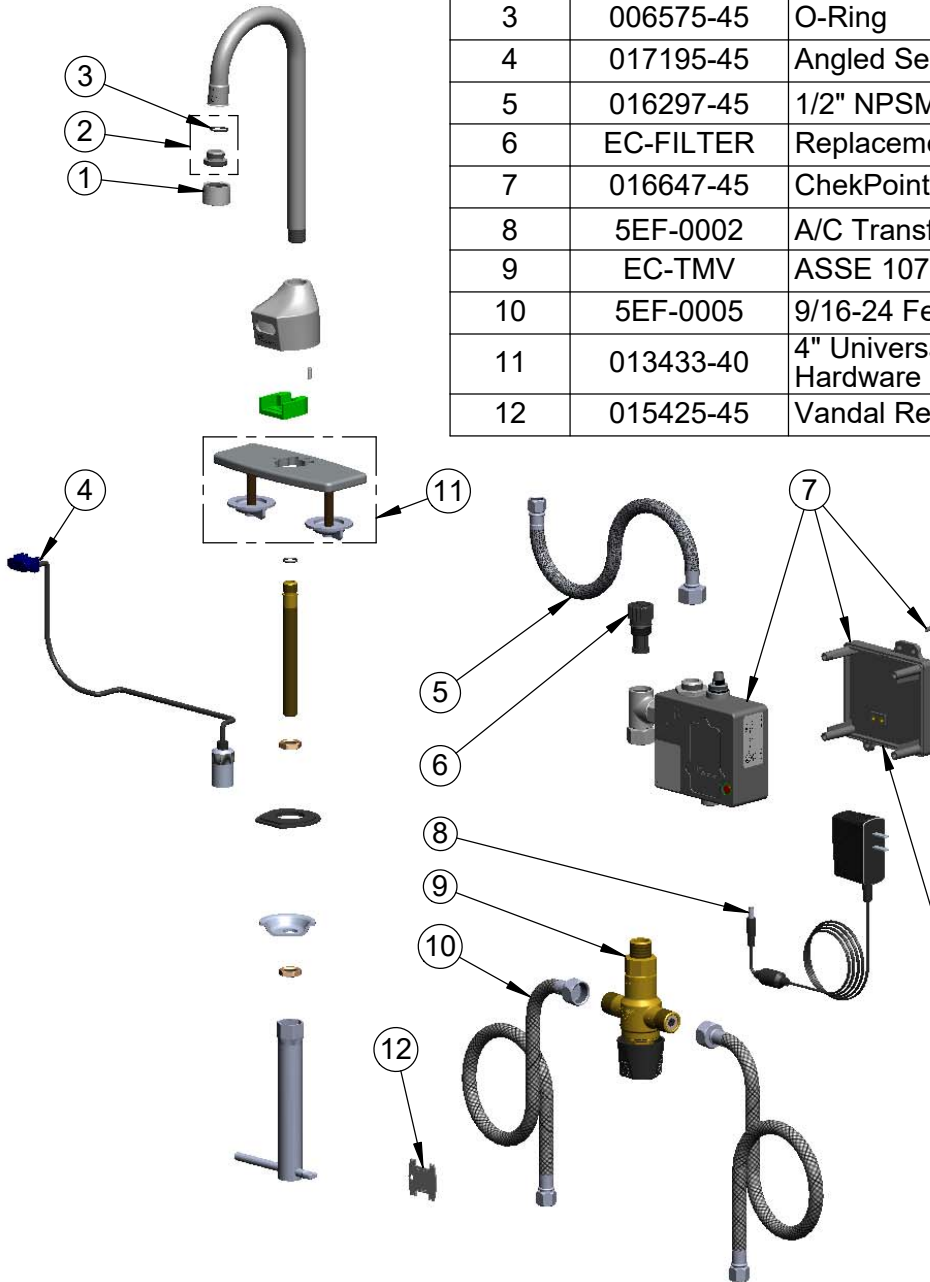
Model No.

EC-3100-TMV4V05

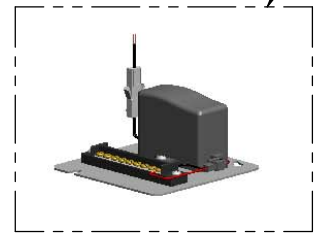
Item No.

Travelers Rest, SC: 800-476-4103 • Simi Valley, CA: 800-423-0150 • Fax: 864-834-3518 • www.tsbrass.com

ITEM NO.	SALES NO.	DESCRIPTION
1	B-0199-06-N05	VR 0.5 GPM Non-Aerated Spray Device, 55/64-27 UN Female w/ Key
2	044A	3/8" to Aerator Adapter
3	006575-45	O-Ring
4	017195-45	Angled Sensor w/ Cable
5	016297-45	1/2" NPSM-F x 1/4" NPSM-F Inlet Hose
6	EC-FILTER	Replacement Filter
7	016647-45	ChekPoint Electronic Module (Grey)
8	5EF-0002	A/C Transformer
9	EC-TMV	ASSE 1070 Thermostatic Mixing Valve
10	5EF-0005	9/16-24 Female x 1/2" NPSM Supply Hose
11	013433-40	4" Universal Deck Plate, Gasket & Mounting Hardware
12	015425-45	Vandal Resistant Key



A Maximum of (8) ChekPoint Faucets can be Hardwire Connected and Powered by EC-HARDWIRE ChekPoint Hardwire AC Transformer. (Sold Separately)



Label for Flow Control Switch Settings is Located on Inside of Back Cover.

Flow Control Switches are Located Inside Module Housing in Black Box Next to Battery Compartment.
*Switches are Set to DEFAULT Position:
- Auto Time Out = 15 Seconds
- Shut Off Delay = 1 Second
- Auto Flush = OFF

Remove (4) Screws and Back Cover to Access Switches.

***Available Water Flow Control Selections:**

- Auto Time Out: 15 sec, 30 sec, 45 sec, 60 sec, 3 min, 20 min
- Shut Off Delay: 1 sec, 10 sec, 15 sec, 30 sec
- Auto Flush (30 Seconds After Every 12 Inactive Hours): ON or OFF

Product Specifications:

Chrome Plated Brass Electronic Faucet: Single Hole Deck Mount Rigid Gooseneck w/ VR 0.5 GPM Non-Aerated Spray Device, AC/DC Control Module w/ Internal Flow Control Setting Switches, Thermostatic Temperature Control Mixing Valve w/ Integral Check Valves, 18" Flexible Stainless Steel Supply Hoses

Product Compliance:

ASME A112.18.1 / CSA B125.1
NSF 61 - Section 9
NSF 372 (Low Lead Content)
ANSI A117.1 (ADA)
UL 1951
ASSE 1070 (TMV)