



# T&S BRASS AND BRONZE WORKS, INC.

2 Saddleback Cove / P.O. Box 1088  
Travelers Rest, SC 29690

Model No.

**BL-5707-01**

Item No.

Travelers Rest, SC: 800-476-4103 • Simi Valley, CA: 800-423-0150 • Fax: 864-834-3518 • www.tsbrass.com



**ADA Compliant**

This Space for Architect/Engineer Approval

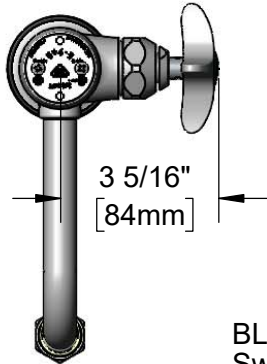
Job Name \_\_\_\_\_ Date \_\_\_\_\_

Model Specified \_\_\_\_\_ Quantity \_\_\_\_\_

Customer/Wholesaler \_\_\_\_\_

Contractor \_\_\_\_\_

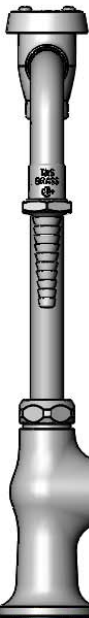
Architect/Engineer \_\_\_\_\_



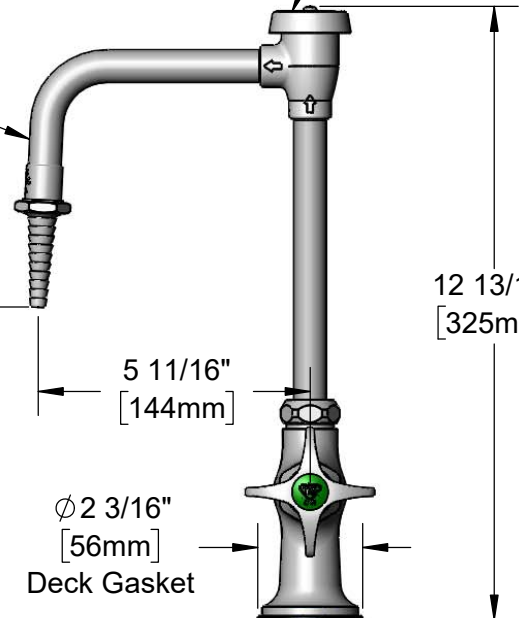
3 5/16"  
[84mm]

BL-55560-03  
Swivel Vacuum Breaker  
Nozzle w/ Serrated Tip  
Outlet & 0.5 GPM Flow  
Control. Converts to Rigid  
w/ 014200-45 Lock Washer  
(Included)

B-0968  
3/8" NPT  
Vacuum Breaker



Quarter-Turn Eterna  
Cartridge w/ Spring  
Check & 4-Arm Lab  
Handle w/ VR Handle  
Screws & Color Coded  
Index



12 13/16"  
[325mm]

5 11/16"  
[144mm]

6 1/2"  
[166mm]

Ø 2 3/16"  
[56mm]  
Deck Gasket

2 11/16"  
[68mm]

Mounting  
Surface

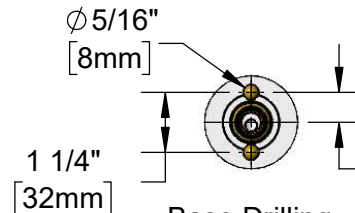
2 7/16"  
[61mm]

Ø 2" [51mm]  
Flange w/  
Black Plastic Deck  
Gasket & 1/2" NPSM  
Male Inlet

Brass Balls for  
Vandal Resistance

150A  
Optional Tailpiece &  
Nut For 1/4" NPT  
Connection (Included)

1 1/2"  
[38mm]  
Maximum  
Thickness



1 1/4"  
[32mm]

Base Drilling  
Detail

5/8"  
[16mm]

Rough-In Requirement:  
Ø 1" [25mm] Mounting Hole

**Product Specifications:**

Single Hole Single Temperature Deck Mount Vandal Resistant Laboratory Faucet, Quarter-Turn Eterna Cartridge w/ Spring Check, 4-Arm Lab Handle w/ Vandal Resistant Screw, Swivel/Rigid Vacuum Breaker Nozzle, Serrated Tip Outlet w/ 0.5 GPM Flow Control & 1/2" NPSM Male Inlet

**Product Compliance:**

ASME A112.18.1 / CSA B125.1  
NSF 61 - Section 9  
NSF 372 (Low Lead Content)  
ANSI A117.1 (ADA)  
ASSE 1001 (VB)



**T&S BRASS AND BRONZE WORKS, INC.**  
 2 Saddleback Cove / P.O. Box 1088  
 Travelers Rest, SC 29690

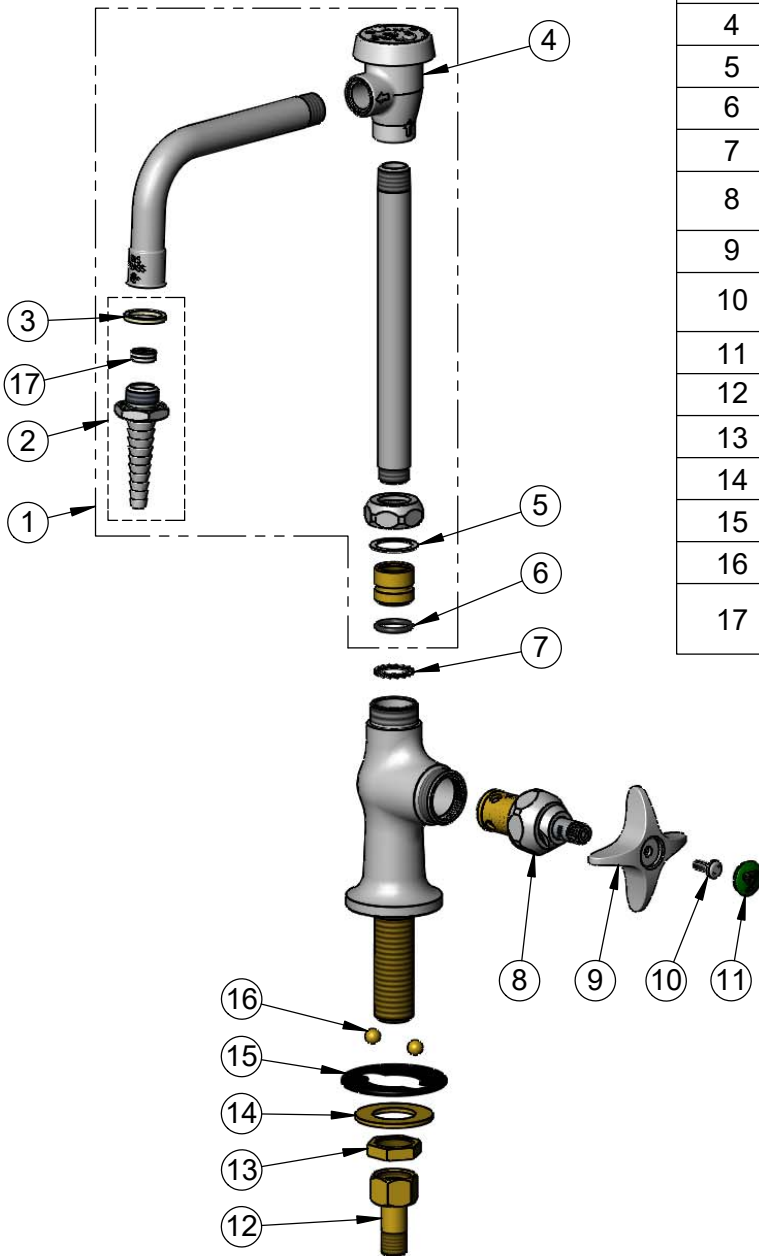
Model No.

**BL-5707-01**

Item No.

Travelers Rest, SC: 800-476-4103 • Simi Valley, CA: 800-423-0150 • Fax: 864-834-3518 • www.tsbrass.com

ITEM NO.	SALES NO.	DESCRIPTION
1	BL-5560-03	Swivel Vacuum Breaker Nozzle w/ Serrated Tip & 0.5 GPM Flow Disc
2	B-0198-FD05	Serrated Tip w/ 0.5 GPM Flow Disc & Washer
3	001051-45	Washer
4	B-0968	3/8" NPT Vacuum Breaker
5	009538-45	Swivel Washer
6	001074-45	O-ring
7	014200-45	Star Washer, Anti-Rotation
8	012443-40NS	Quarter-Turn Eterna Cartridge w/ Spring Check, RTC
9	002521-45NS	4-Arm Handle (New Style)
10	VRS-2	VR Wrist Action Handle Screw (2) w/ Spanner Bit
11	001191-45NS	Green "CW" Lab Button Index
12	150A	1/4" NPT Tailpiece & Nut
13	002954-45	Shank Lock Nut
14	000999-45	Brass Lock Washer
15	144L	Black Plastic Deck Gasket
16	001408-45	5/16" Brass Ball
17	FD05	Flow Disc, 0.5 GPM [ 1.9 L/min.] (Lime)



014075-45  
 #10 Spanner Bit

**Product Specifications:**

Single Hole Single Temperature Deck Mount Vandal Resistant Laboratory Faucet, Quarter-Turn Eterna Cartridge w/ Spring Check, 4-Arm Lab Handle w/ Vandal Resistant Screw, Swivel/Rigid Vacuum Breaker Nozzle, Serrated Tip Outlet w/ 0.5 GPM Flow Control & 1/2" NPSM Male Inlet

**Product Compliance:**

ASME A112.18.1 / CSA B125.1  
 NSF 61 - Section 9  
 NSF 372 (Low Lead Content)  
 ANSI A117.1 (ADA)  
 ASSE 1001 (VB)