



# T&S BRASS AND BRONZE WORKS, INC.

2 Saddleback Cove / P.O. Box 1088  
Travelers Rest, SC 29690

Model No.

**BL-4705-01**

Item No.

Travelers Rest, SC: 800-476-4103 • Simi Valley, CA: 800-423-0150 • Fax: 864-834-3518 • www.tsbrass.com

This Space for Architect/Engineer Approval

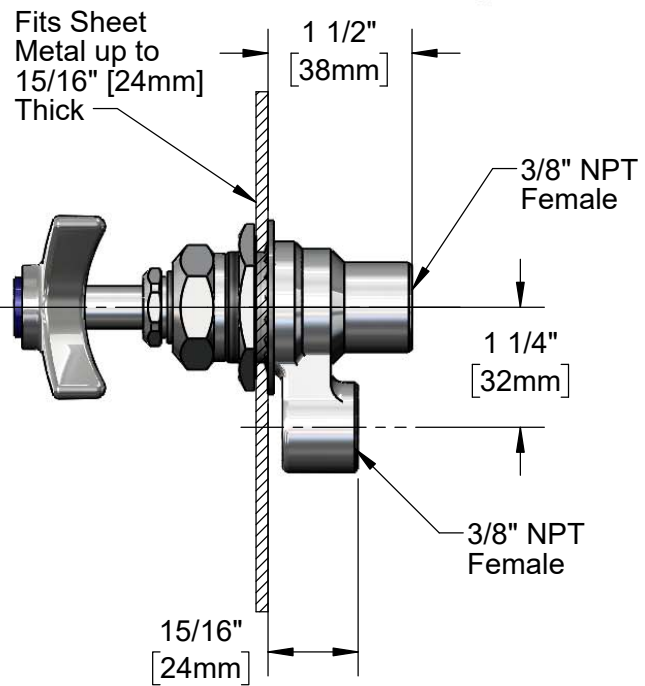
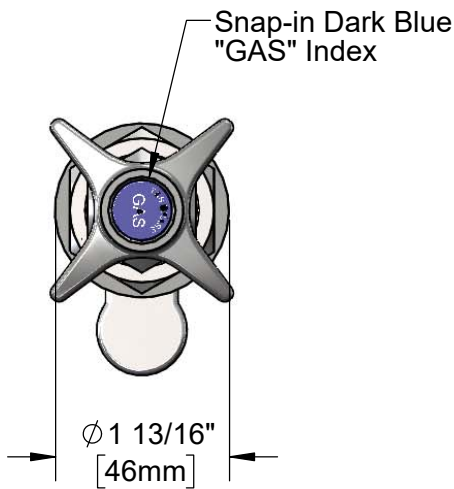
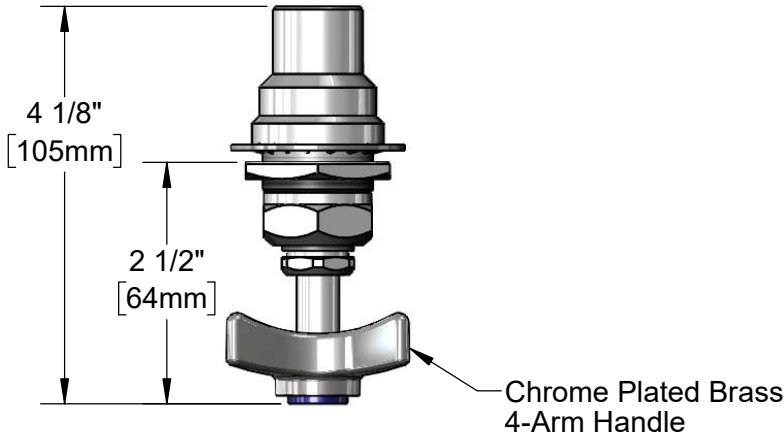
Job Name \_\_\_\_\_ Date \_\_\_\_\_

Model Specified \_\_\_\_\_ Quantity \_\_\_\_\_

Customer/Wholesaler \_\_\_\_\_

Contractor \_\_\_\_\_

Architect/Engineer \_\_\_\_\_



### Notes:

1. Natural Gas Pressure: 125 PSIG Max.
2. Temperature Range: 32°F - 125°F



209L-VAC  
Yellow Snap-In Index  
(Included)



209L-AIR  
Orange Snap-In Index  
(Included)

### Product Specifications:

Fume Hood Valve with Chrome Plated Brass Body, 4-Arm Handle, Color Coded Indexes and 3/8" NPT Female Inlet and Outlet

### Product Compliance:

ANSI Z21.15a / CSA 9.1a (Gas Valves)



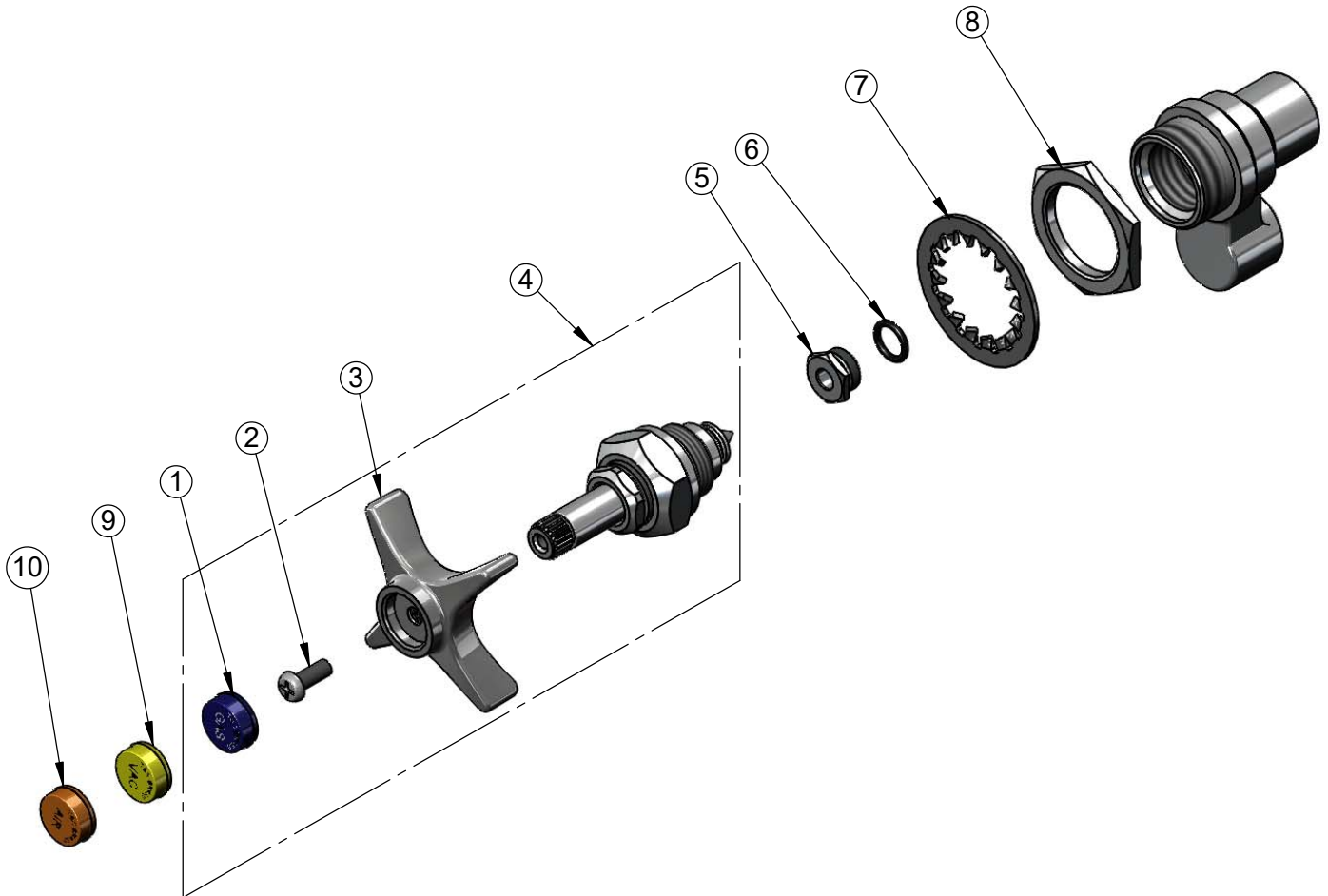
**T&S BRASS AND BRONZE WORKS, INC.**  
 2 Saddleback Cove / P.O. Box 1088  
 Travelers Rest, SC 29690

Model No.  
**BL-4705-01**

Item No.

Travelers Rest, SC: 800-476-4103 • Simi Valley, CA: 800-423-0150 • Fax: 864-834-3518 • www.tsbrass.com

ITEM NO.	SALES NO.	DESCRIPTION
1	209L-GAS	Dark Blue GAS Snap-In Index
2	000925-45	Lab Handle Screw
3	000059-40	4-Arm Lab Handle
4	110A	Spindal Assembly, BL-4500-01
5	000529-20	Seat, BL-4500-01
6	001070-45	O-ring, Nitrile, -012
7	001003-45	Lock Washer, Int. Tooth, 1 5/32" ID
8	000959-40	Locknut, Body Top
9	209L-VAC	Yellow VAC Snap-In Index
10	209L-AIR	Orange AIR Snap-In Index



Product Specifications:  
 Fume Hood Valve with Chrome Plated Brass Body, 4-Arm Handle, Color Coded Indexes and 3/8" NPT Female Inlet and Outlet

Product Compliance:  
 ANSI Z21.15a / CSA 9.1a (Gas Valves)