



**T&S BRASS AND BRONZE WORKS, INC.**  
 2 Saddleback Cove / P.O. Box 1088  
 Travelers Rest, SC 29690

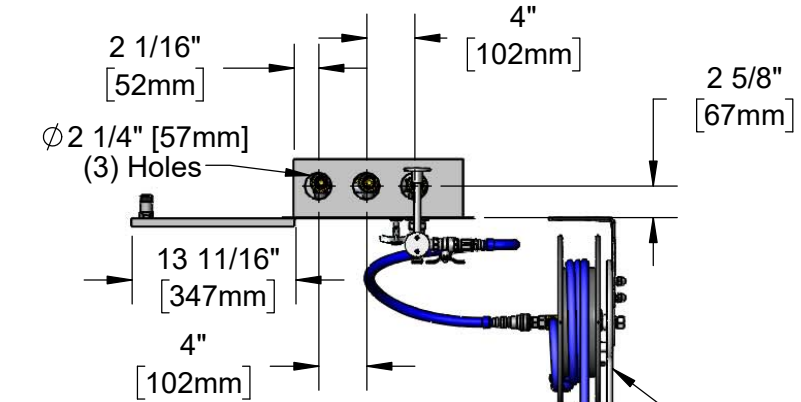
Model No.  
**B-7232-U01XS5**

Item No.

Travelers Rest, SC: 800-476-4103 • Simi Valley, CA: 800-423-0150 • Fax: 864-834-3518 • www.tsbrass.com

This Space for Architect/Engineer Approval

Job Name \_\_\_\_\_ Date \_\_\_\_\_  
 Model Specified \_\_\_\_\_ Quantity \_\_\_\_\_  
 Customer/Wholesaler \_\_\_\_\_  
 Contractor \_\_\_\_\_  
 Architect/Engineer \_\_\_\_\_



B-0963  
 Continuous Pressure  
 Vacuum Breaker w/  
 Integral Check Valves

EasyInstall  
 3/8" NPT x 18" Riser  
 3/8" NPT x 36"  
 Flexible Water  
 Connector

Swivel Elbow w/  
 Ø2" [51mm] Flange  
 1/2" NPT Female Inlet

B-7232-01  
 Hose Reel w/  
 Spray Valve

B-2339-LR  
 Control Cabinet  
 w/ Dual Check  
 Valves

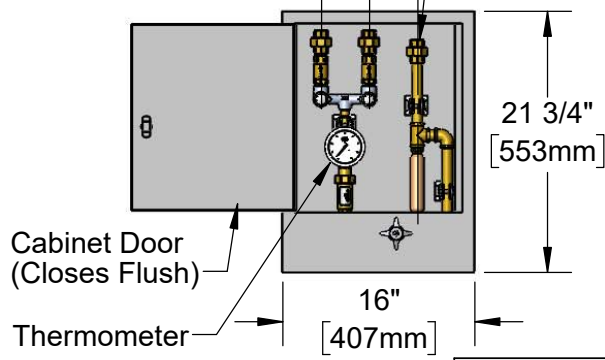
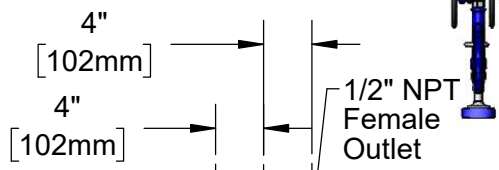
Stainless Steel  
 Quick Disconnect

019652-40  
 3/8" NPT  
 Live Swivel

EB-0107  
 High Flow  
 Spray Valve

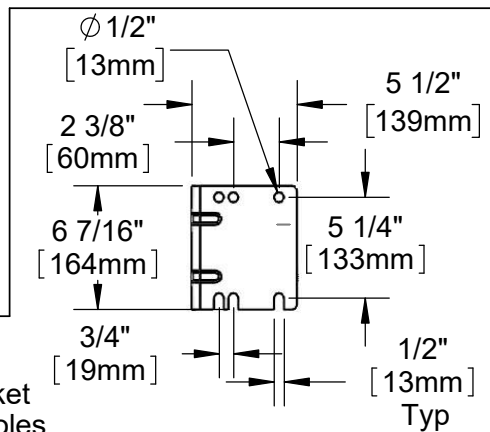
B-0109-01  
 6" Wall Bracket

23 9/16"  
 [599mm]



Cabinet Rough-In Requirement:  
 20 1/4" H x 14 1/4" W x 5" D

EasyInstall  
 Wall Mount  
 Swing Bracket  
 Mounting Holes



2" [51mm] Closed  
 2 3/8" [60mm] Open

Main Shutoff Valve  
 Body Behind Panel.  
 Operable From  
 Outside of Closed  
 Cabinet

Product Specifications:

Open Coated Hose Reel w/ 35' Hose, High Flow Spray Valve w/ Swivel, Rinse Control Cabinet w/ Control Valve, Dual Check Valves, Thermometer, Water Hammer Arrestor & Hose Reel Connector Kit

Product Compliance:

ASSE 1010 (Arrestor)  
 ASSE 1024 (VB)  
 NSF 61 Exempt (Non-Potable)  
 2019 DOE PRSV Non-Compliant  
 ASSE 1056 (VB)



# T&S BRASS AND BRONZE WORKS, INC.

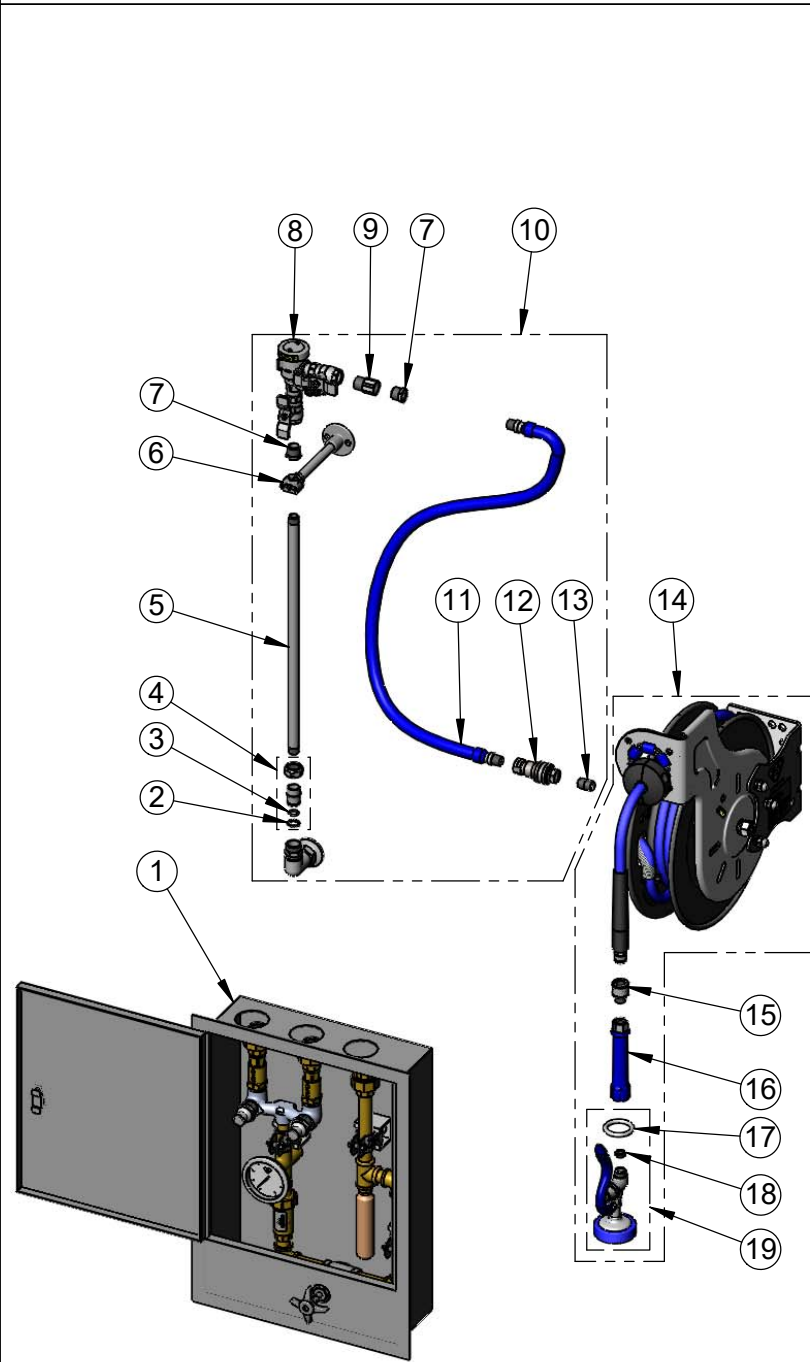
2 Saddleback Cove / P.O. Box 1088  
Travelers Rest, SC 29690

Model No.

**B-7232-U01XS5**

Item No.

Travelers Rest, SC: 800-476-4103 • Simi Valley, CA: 800-423-0150 • Fax: 864-834-3518 • www.tsbrass.com



| ITEM NO. | SALES NO. | DESCRIPTION  |
|----------|-----------|--|
| 1        | B-2339-LR | Reel Control Cabinet w/ Control Valve, Dual Check Valves & Thermometer |
| 2        | 014200-45 | Star Washer, Anti-Rotation   |
| 3        | 001065-45 | O-Ring   |
| 4        | EZ-K      | EasyInstall Kit: Nut, Bushing, O-Ring & Lock Washer                    |
| 5        | 000369-40 | 3/8" NPT x 18" Riser   |
| 6        | B-0109-01 | 6" Wall Bracket  |
| 7        | 001359-40 | Hex Bushing, 1/2" NPT Male x 3/8" NPT Female                           |
| 8        | B-0963    | Vacuum Breaker 1/2" NPT Female   |
| 9        | 015073-40 | Check Valve w/ 1/2" NPT Adapter  |
| 10       | ORK-SK    | Hose Reel Connector Kit  |
| 11       | HW-2B-36  | 3/8" NPT x 36" Flexible Water Hose                                     |
| 12       | AW-5B     | 3/8" NPT Quick Disconnect  |
| 13       | 002535-25 | 3/8" Close Nipple  |
| 14       | B-7232-01 | Open Coated Reel w/ 35' of 3/8" Hose & Blue Spray Valve                |
| 15       | 019652-40 | 3/8" NPT Live Swivel   |
| 16       | 012504-40 | Blue Grip Handle   |
| 17       | 000907-45 | Spray Valve Hold Down Ring   |
| 18       | 010476-45 | #27 Washer   |
| 19       | EB-0107   | High Flow Spray Valve  |

**Product Specifications:**

Open Coated Hose Reel w/ 35' Hose, High Flow Spray Valve w/ Swivel, Rinse Control Cabinet w/ Control Valve, Dual Check Valves, Thermometer, Water Hammer Arrestor & Hose Reel Connector Kit

**Product Compliance:**

ASSE 1010 (Arrestor)  
ASSE 1024 (VB)  
NSF 61 Exempt (Non-Potable)  
2019 DOE PRSV Non-Compliant  
ASSE 1056 (VB)