



# T&S BRASS AND BRONZE WORKS, INC.

2 Saddleback Cove / P.O. Box 1088  
Travelers Rest, SC 29690

Model No.

**B-7122-C01WS1C**

Item No.

Travelers Rest, SC: 800-476-4103 • Simi Valley, CA: 800-423-0150 • Fax: 864-834-3518 • www.tsbrass.com

This Space for Architect/Engineer Approval

Job Name \_\_\_\_\_ Date \_\_\_\_\_

Model Specified \_\_\_\_\_ Quantity \_\_\_\_\_

Customer/Wholesaler \_\_\_\_\_

Contractor \_\_\_\_\_

Architect/Engineer \_\_\_\_\_

B-0963  
Continuous Pressure  
Vacuum Breaker w/  
Integral Check Valve

3/8" NPT x 36"  
Flexible Water  
Connector

Stainless Steel  
Quick Disconnect

3/8" NPT x 40"  
Riser

Control Valve

(2) B-0109-07  
Wall Brackets

EasyInstall  
3/8" NPT x  
16" Riser

12 5/8"  
[321mm]

8"  
[203mm]  
Adjustable From  
7 3/4" to 8 1/4"  
[197mm to 210mm]

3 11/16"  
[93mm]

Ø 2" [51mm]  
Flanges w/  
1/2" NPT  
Female Inlets

Mounting Hardware Included  
for Hose Reel to Bracket

Enclosed Stainless Steel  
Hose Reel w/ 30' of 3/8" Hose

019652-40  
3/8" NPT  
Live Swivel

EB-0107  
High Flow  
Spray Valve  
(Blue)

8" Wall Mount Mixing  
Faucet, Quarter-Turn Cerama  
Cartridges w/ Check Valves  
& Lever Handles w/ Color  
Coded Indexes

7 1/2"  
[191mm]

5 9/16"  
[142mm]

9 7/16"  
[240mm]

Ø 1/2"  
[13mm]

3 9/16"  
[90mm]

EasyInstall Wall  
Mount Swing Bracket  
Mounting Holes

63 5/16"  
[1609mm]

17 13/16"  
[453mm]

2 3/8"  
[61mm]

**Product Specifications:**

Enclosed Stainless Steel Hose Reel w/ 30' of 3/8" Hose, High Flow Spray Valve (Blue) w/ Swivel, Vacuum Breaker, 3/8" NPT Flexible Water Connector, 8" Wall Mount Mixing Faucet w/ Quarter-Turn Cerama Cartridges w/ Check Valves & Control Valve, 100 Degree EasyInstall Stainless Steel Swing Bracket w/ Mounting Hardware for Hose Reel to Bracket

**Product Compliance:**

NSF 61 Exempt (Non-Potable)  
2019 DOE PRSV Non-Compliant  
ASSE 1056 (VB)

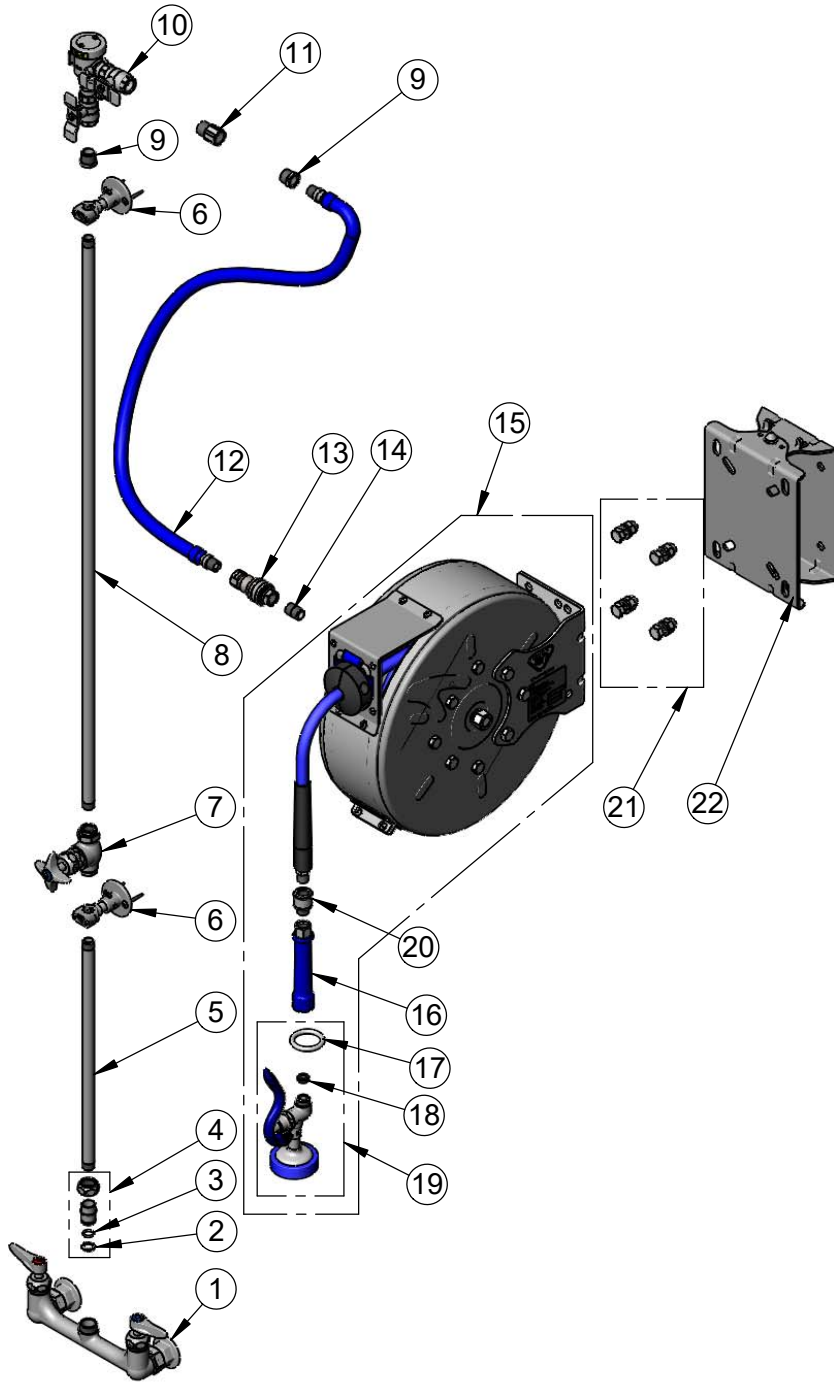


**T&S BRASS AND BRONZE WORKS, INC.**  
 2 Saddleback Cove / P.O. Box 1088  
 Travelers Rest, SC 29690

Model No.  
**B-7122-C01WS1C**

Item No.

Travelers Rest, SC: 800-476-4103 • Simi Valley, CA: 800-423-0150 • Fax: 864-834-3518 • www.tsbrass.com



ITEM NO.	SALES NO.	DESCRIPTION
1	B-0230-CR-LN	8" Wall Mount Mixing Faucet
2	014200-45	Star Washer, Anti-Rotation
3	001065-45	O-Ring
4	EZ-K	EasyInstall Kit
5	000368-40	Nipple, 3/8" x 16"
6	B-0109-07	Wall Bracket
7	0RK3	Control Valve
8	002558-40	3/8" NPT x 40" Riser
9	001359-40	Hex Bushing, 1/2" NPT Male x 3/8" NPT Female
10	B-0963	1/2" NPT Continuous Pressure Vacuum Breaker w/ Integral Check Valve
11	015073-40	Check Valve w/ 1/2" NPT Adapter
12	HW-2B-36	3/8" NPT x 36" Flexible Water Hose
13	AW-5B	3/8" NPT Quick Disconnect
14	002535-25	3/8" Close Nipple
15	B-7122-C01	Enclosed Stainless Steel Hose Reel w/ 30' of 3/8" Hose Grip Handle (Blue), 3/8" NPT
16	012504-40	Spray Valve Hold Down Ring
17	000907-45	#27 Washer
18	010476-45	High Flow Spray Valve (Blue)
19	EB-0107	3/8" NPT Live Swivel
20	019652-40	Hose Reel Mounting Kit
21	019191-45K	EasyInstall Hose Reel Stainless Steel Swing Bracket
22	G019430-45	

**Product Specifications:**

Enclosed Stainless Steel Hose Reel w/ 30' of 3/8" Hose, High Flow Spray Valve (Blue) w/ Swivel, Vacuum Breaker, 3/8" NPT Flexible Water Connector, 8" Wall Mount Mixing Faucet w/ Quarter-Turn Cerama Cartridges w/ Check Valves & Control Valve, 100 Degree EasyInstall Stainless Steel Swing Bracket w/ Mounting Hardware for Hose Reel to Bracket

**Product Compliance:**

NSF 61 Exempt (Non-Potable)  
 2019 DOE PRSV Non-Compliant  
 ASSE 1056 (VB)