



T&S BRASS AND BRONZE WORKS, INC.

2 Saddleback Cove / P.O. Box 1088
Travelers Rest, SC 29690

Model No.

B-3960-01-XS

Item No.

Travelers Rest, SC: 800-476-4103 • Simi Valley, CA: 800-423-0150 • Fax: 864-834-3518 • www.tsbrass.com

This Space for Architect/Engineer Approval

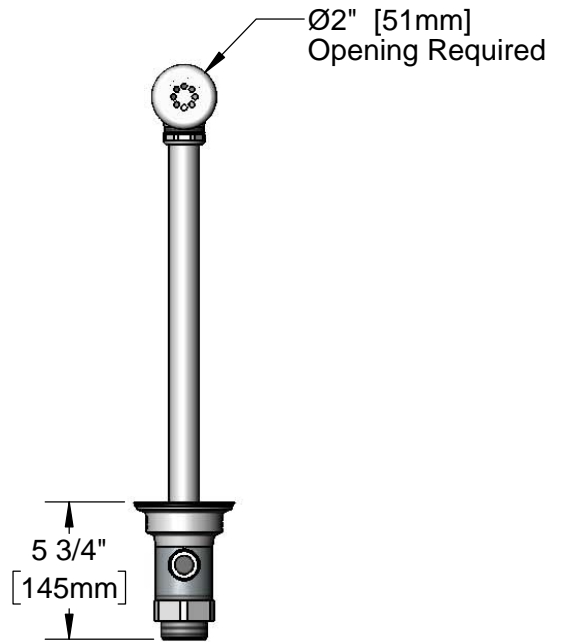
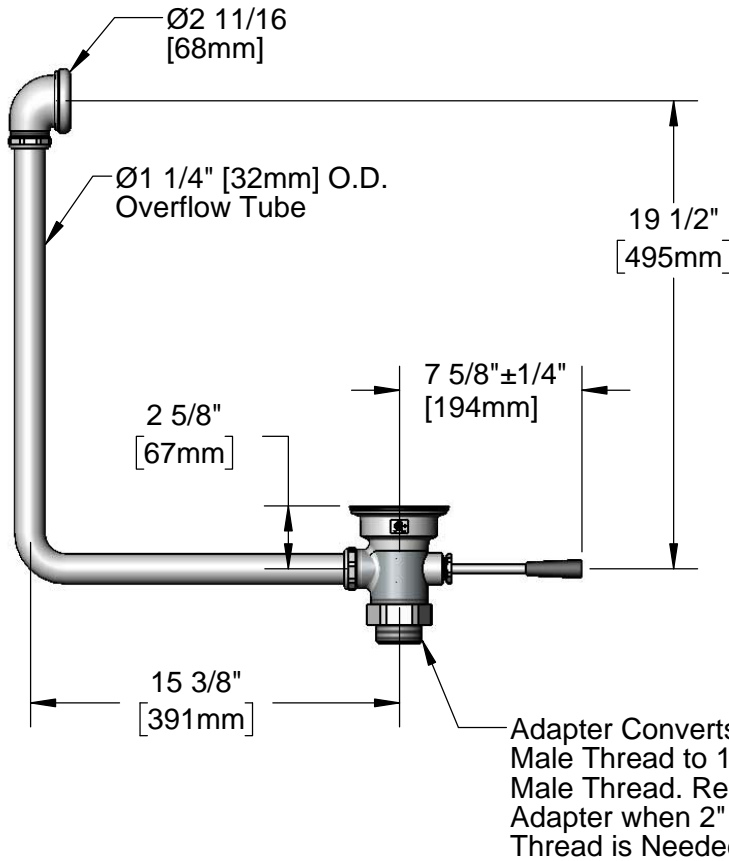
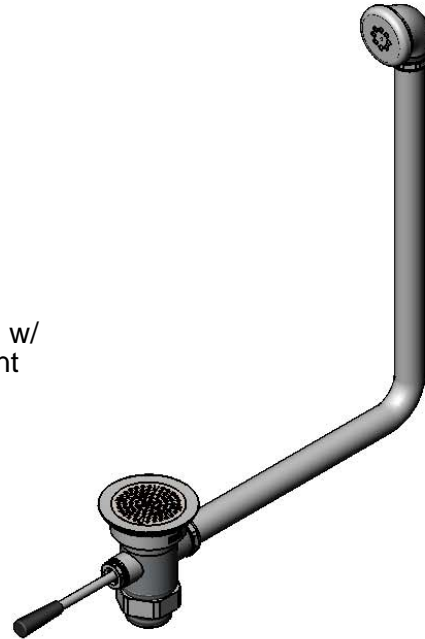
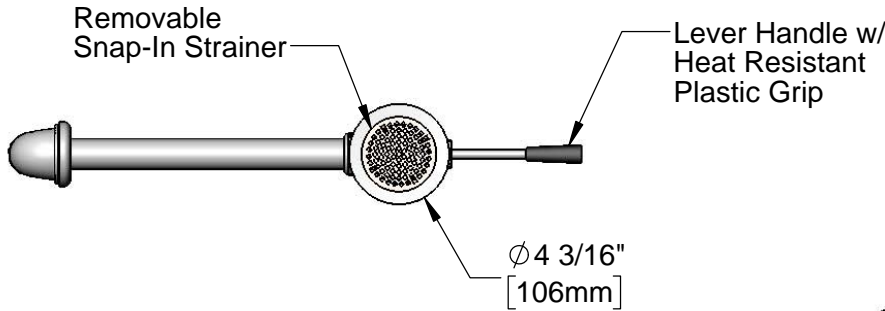
Job Name _____ Date _____

Model Specified _____ Quantity _____

Customer/Wholesaler _____

Contractor _____

Architect/Engineer _____



Product Specifications:

Waste Drain Valve w/ Short Lever Handle, 3" Sink Opening, 2" NPT Male Outlet, 1 1/2" NPT Male Adapter & Overflow Tube w/ Head Asm

Product Compliance:

ASME A112.18.2 / CSA B125.2



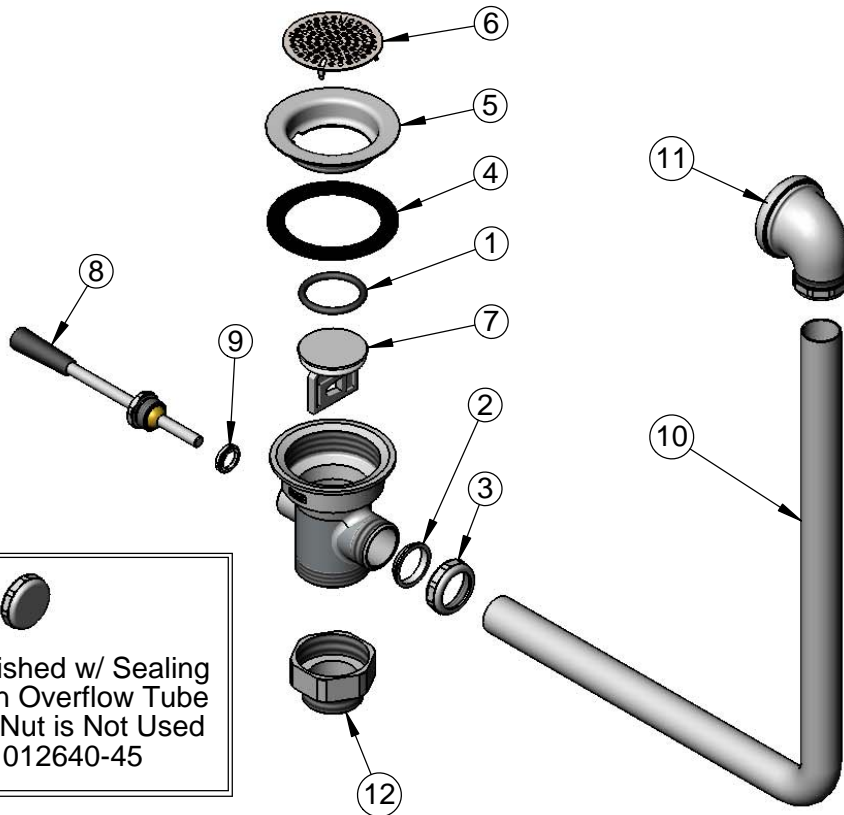
T&S BRASS AND BRONZE WORKS, INC.
 2 Saddleback Cove / P.O. Box 1088
 Travelers Rest, SC 29690

Model No.
B-3960-01-XS

Item No.

Travelers Rest, SC: 800-476-4103 • Simi Valley, CA: 800-423-0150 • Fax: 864-834-3518 • www.tsbrass.com

ITEM NO.	SALES NO.	DESCRIPTION
1	010389-45	O-Ring, Plunger
2	010390-45	Ferrule, Coupling Nut
3	010391-45	Nut, Coupling for Twist Drain
4	010381-45	Gasket, 3" Face Flange
5	015306-45	Flange, 3" Face
6	010385-45	Strainer, 3" Snap-in
7	010388-45	Plunger, Lever and Twist Drain
8	010394-45XS	Handle, Waste Valve Short Lever
9	010392-45	Bushing, Waste Drain Lever Handle
10	011355-45	Tube, Overflow Elbow
11	011356-45	Head Asm, Overflow Tube
12	B-3945	Adapter, 2" NPT x 1 1/2" NPT



Also Furnished w/ Sealing Cap When Overflow Tube Coupling Nut is Not Used
 PN# 012640-45

Product Specifications:
 Waste Drain Valve w/ Short Lever Handle, 3" Sink Opening, 2" NPT Male Outlet, 1 1/2" NPT Male Adapter & Overflow Tube w/ Head Asm

Product Compliance:
 ASME A112.18.2 / CSA B125.2