



**T&S BRASS AND BRONZE WORKS, INC.**  
 2 Saddleback Cove / P.O. Box 1088  
 Travelers Rest, SC 29690

Model No.  
**B-2990-F12**

Item No.

Travelers Rest, SC: 800-476-4103 • Simi Valley, CA: 800-423-0150 • Fax: 864-834-3518 • www.tsbrass.com



**ADA Compliant**

This Space for Architect/Engineer Approval

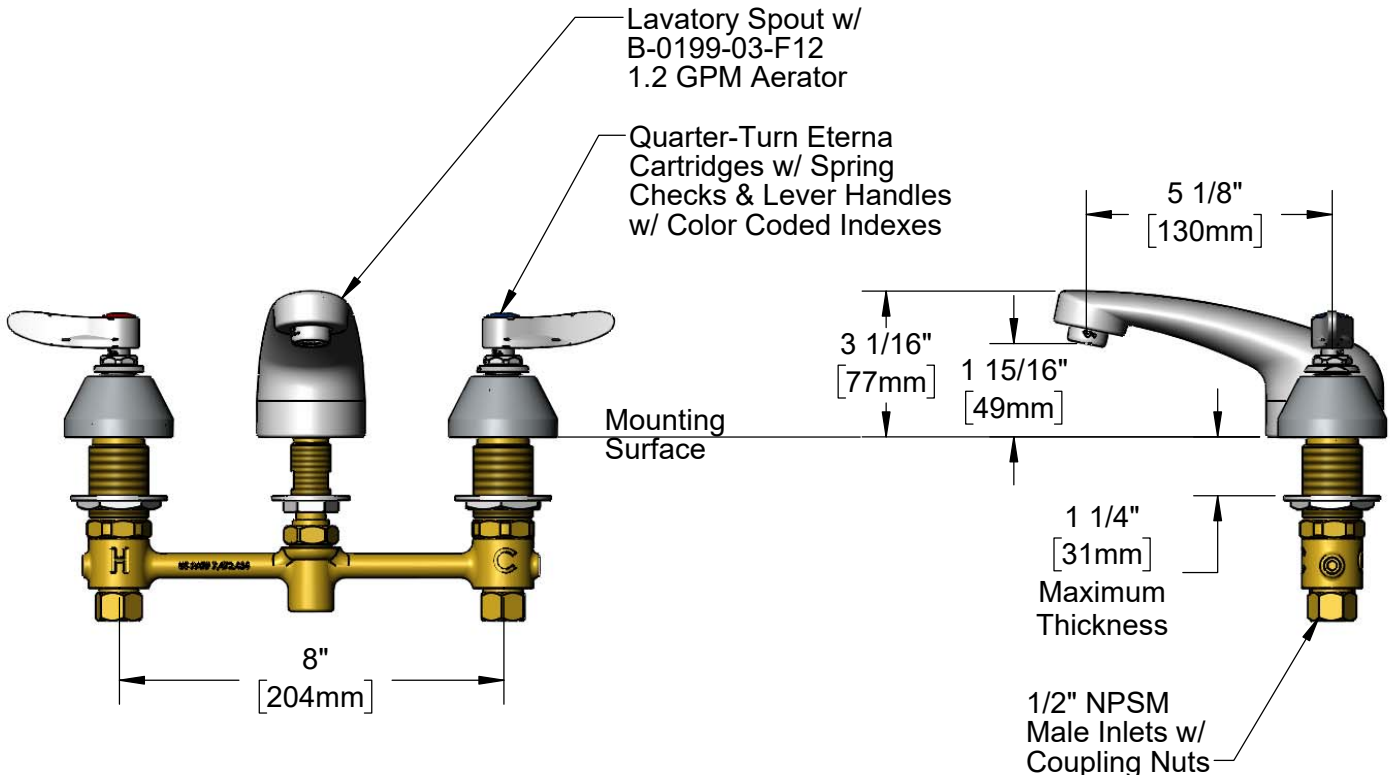
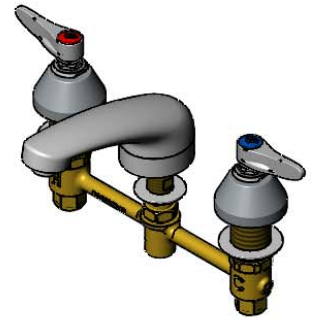
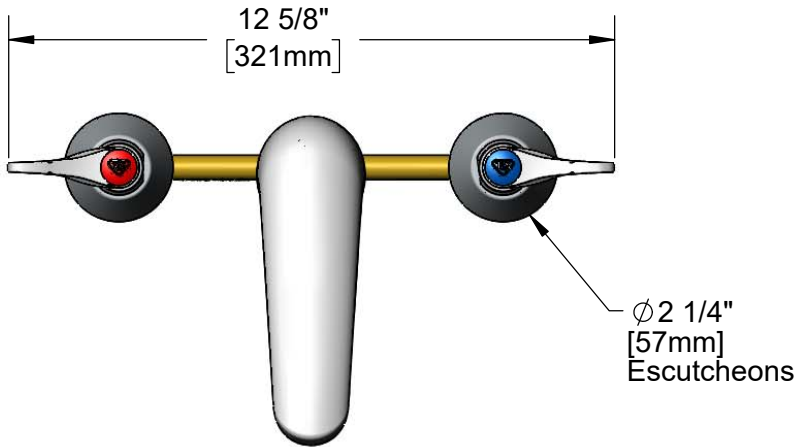
Job Name \_\_\_\_\_ Date \_\_\_\_\_

Model Specified \_\_\_\_\_ Quantity \_\_\_\_\_

Customer/Wholesaler \_\_\_\_\_

Contractor \_\_\_\_\_

Architect/Engineer \_\_\_\_\_



**Rough-In Requirement:**  
 Center Shank: Ø 1" [25mm] Mounting Hole  
 Hot/Cold Side: Ø 1 1/2" [38mm] Mounting Holes

**Product Specifications:**  
 8" Concealed Widespread EasyInstall Mixing Lavatory Faucet, Quarter-Turn Eterna Cartridges w/ Spring Checks, Lever Handles, Lavatory Spout, 1.2 GPM Aerator & 1/2" NPT Male Inlets w/ Coupling Nuts

**Product Compliance:**  
 ASME A112.18.1 / CSA B125.1  
 NSF 61 - Section 9  
 NSF 372 (Low Lead Content)  
 ANSI A117.1 (ADA)  
 EPA WaterSense

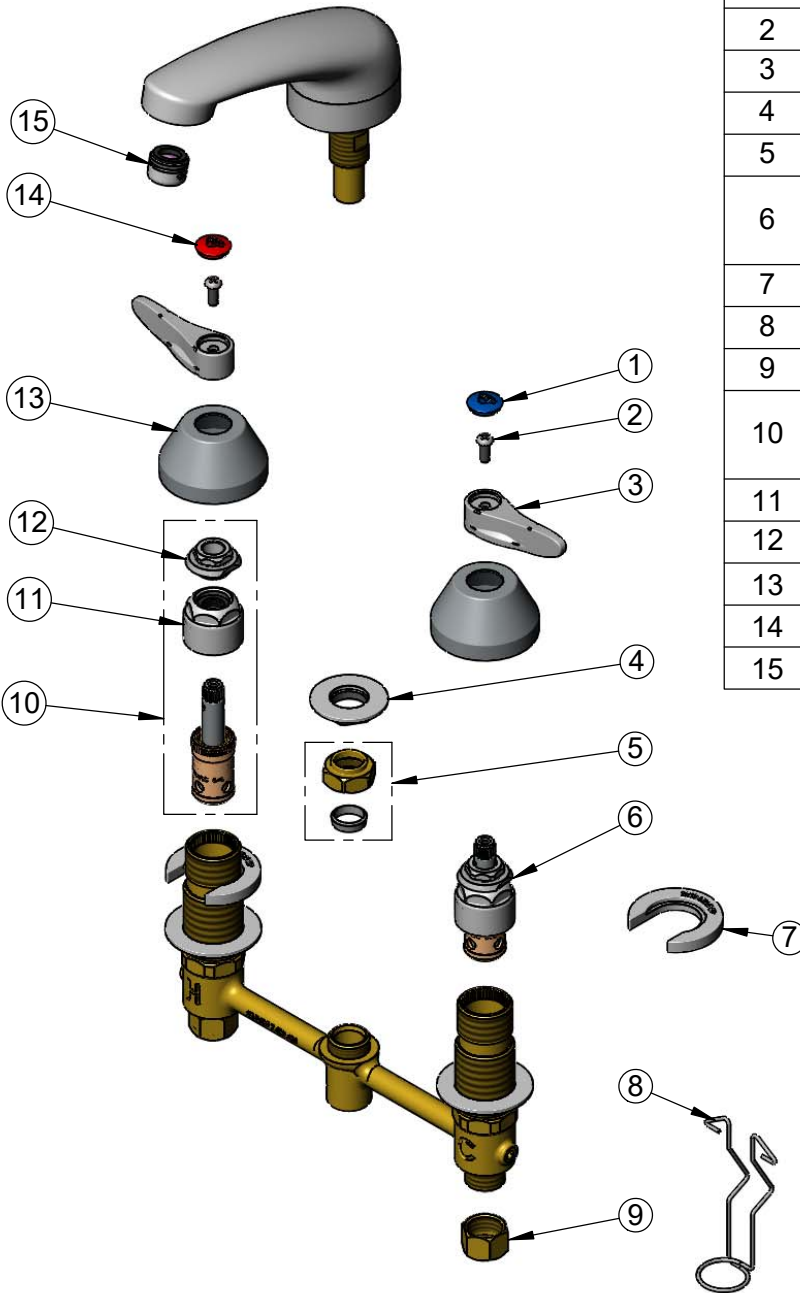


**T&S BRASS AND BRONZE WORKS, INC.**  
 2 Saddleback Cove / P.O. Box 1088  
 Travelers Rest, SC 29690

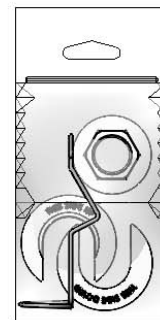
Model No.  
**B-2990-F12**

Item No.

Travelers Rest, SC: 800-476-4103 • Simi Valley, CA: 800-423-0150 • Fax: 864-834-3518 • www.tsbrass.com



ITEM NO.	SALES NO.	DESCRIPTION
1	018506-19NS	Blue Button Index, Press-in
2	000925-45	Lab Handle Screw
3	001638-45NS	Lever Handle (New Style)
4	016742-45	Center Flange Nut
5	016745-45	Compression Nut & Fitting
6	016752-40NS	EasyInstall CWS LTC Quarter-Turn Eterna Cartridge w/ Spring Check
7	016749-45	Sidebody C-Washer
8	016777-45	CWS Hanger
9	000958-20	Coupling Nut
10	016753-40NS	EasyInstall CWS RTC Quarter-Turn Eterna Cartridge w/ Spring Check
11	016743-25	CWS Eterna Bonnet
12	009002-25NS	Packing Nut (New Style)
13	001257-40NS	Bell Escutcheon
14	001193-19NS	Red Button Index, Press-in
15	B-0199-03-F12	1.2 GPM Aerator



017245-40  
 Installation Repair Kit  
 Includes #4, (2)#7, & #8

Product Specifications:  
 8" Concealed Widespread EasyInstall Mixing Lavatory Faucet, Quarter-Turn Eterna Cartridges w/ Spring Checks, Lever Handles, Lavatory Spout, 1.2 GPM Aerator & 1/2" NPT Male Inlets w/ Coupling Nuts

Product Compliance:  
 ASME A112.18.1 / CSA B125.1  
 NSF 61 - Section 9  
 NSF 372 (Low Lead Content)  
 ANSI A117.1 (ADA)  
 EPA WaterSense