



T&S BRASS AND BRONZE WORKS, INC.

2 Saddleback Cove / P.O. Box 1088
Travelers Rest, SC 29690

Model No.

B-2366

Item No.

Travelers Rest, SC: 800-476-4103 • Simi Valley, CA: 800-423-0150 • Fax: 864-834-3518 • www.tsbrass.com

This Space for Architect/Engineer Approval

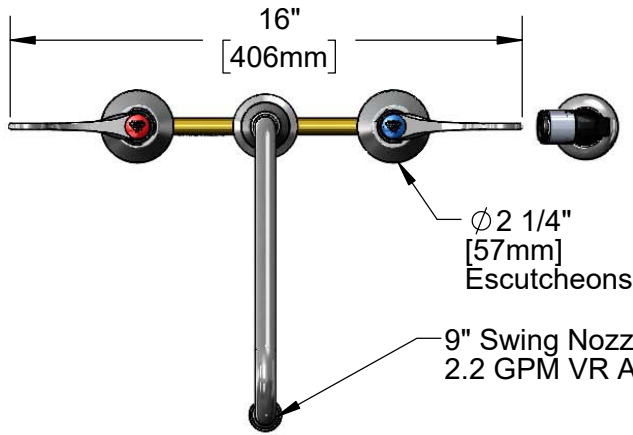
Job Name _____ Date _____

Model Specified _____ Quantity _____

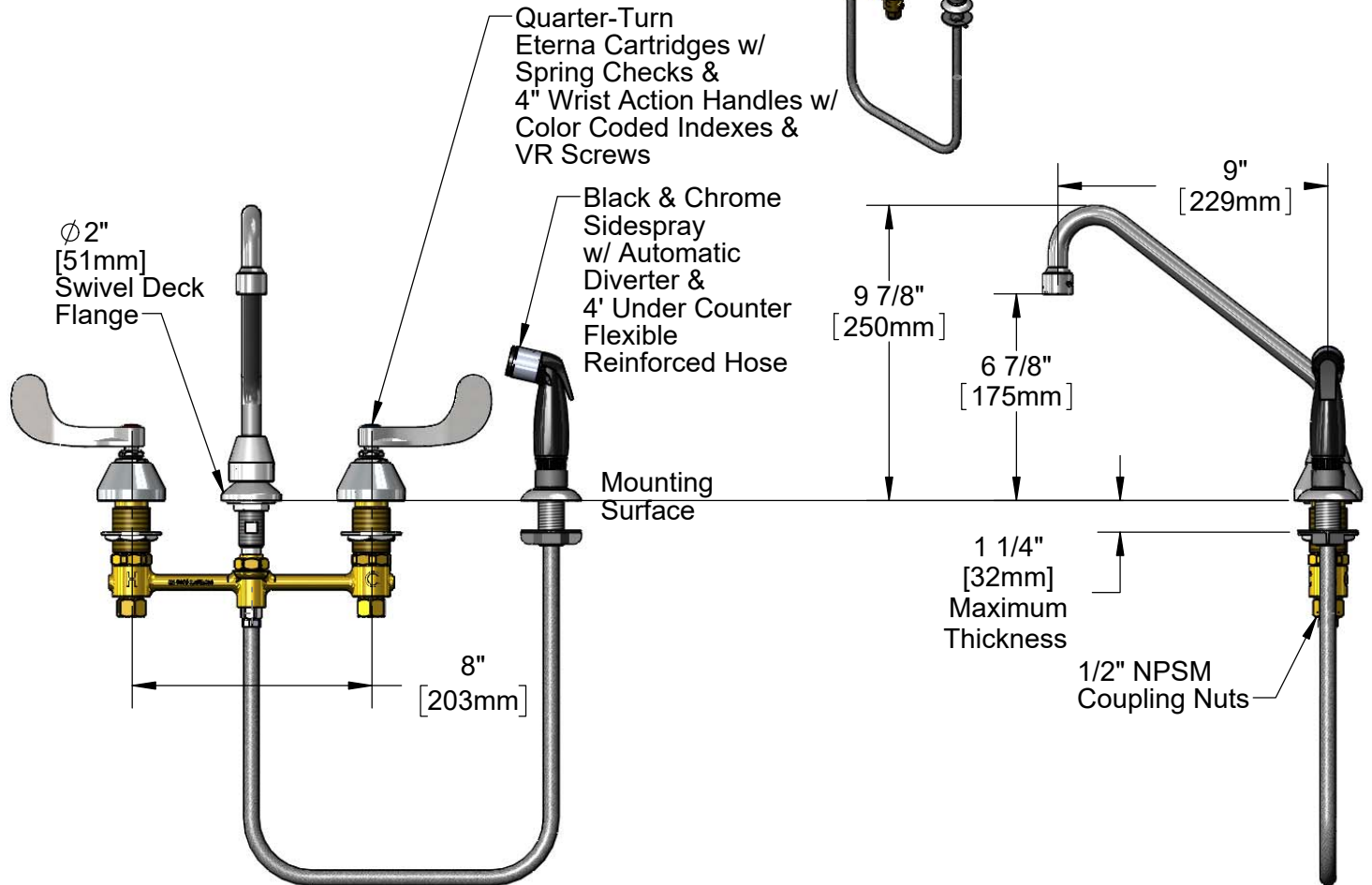
Customer/Wholesaler _____

Contractor _____

Architect/Engineer _____



ADA Compliant



Rough-In Requirement:
Ø 1" [25mm] for Center Shank
Ø 1 1/2" [38mm] for Hot/Cold Side

Product Specifications:

8" Concealed Widespread EasyInstall Mixing Faucet w/ 4" Sidespray, 4" Wrist Action Handles, VR Screws, Quarter-Turn Eterna Cartridges w/ Spring Checks, 9" Swing Nozzle w/ 2.2 GPM VR Aerator and 1/2" NPSM Male Inlets w/ Coupling Nuts

Product Compliance:

ASME A112.18.1 / CSA B125.1
NSF 61 - Section 9
NSF 372 (Low Lead Content)
ANSI A117.1 (ADA)



T&S BRASS AND BRONZE WORKS, INC.

2 Saddleback Cove / P.O. Box 1088
Travelers Rest, SC 29690

Model No.

B-2366

Item No.

Travelers Rest, SC: 800-476-4103 • Simi Valley, CA: 800-423-0150 • Fax: 864-834-3518 • www.tsbrass.com

ITEM NO.	SALES NO.	DESCRIPTION
1	B-0199-06	VR 2.2 GPM Aerator, 55/64-27 Female
2	B-WH4H-NS	Wrist Action Handle, Red Index & Screw
3	017208-40NS	Center Body Diverter Assembly (New Style)
4	002338-45	Valve Diverter Piston
5	018506-19NS	Blue Button Index, Press-in
6	VRS-2	VR Wrist Action Handle Screw (2) w/ Spanner Bit
7	B-WH6H-NS	6" Wrist Action Handle, Red Index & Screw
8	016742-45	Center Flange Nut
9	016745-45	Compression Nut & Fitting
10	016752-40NS	EasyInstall, CWS Quarter-Turn Eterna Cartridge w/ Spring Check, LTC
11	016749-45	Sidebody C-Washer
12	016777-45	CWS Hanger
13	001495-45	4' Side Spray w/ Hose Guide
14	001496-45	Hose Guide
15	000958-20	Coupling Nut
16	016753-40NS	EasyInstall, CWS Quarter-Turn Eterna Cartridge w/ Spring Check, RTC
17	016743-25	CWS Eterna Bonnet
18	009002-40NS	Packing Assembly (New Style)
19	001257-40NS	Bell Escutcheon
20	B-WH4-NS	Wrist Action Handle (New Style)
21	001193-19NS	Red Button Index, Press-in

015425-45
Vandal Resistant Key

017245-40
Installation Repair Kit
Includes #8, (2)#11, & #12

014075-45
#10 Spanner Bit

Product Specifications:
8" Concealed Widespread EasyInstall Mixing Faucet w/ 4' Sidespray, 4" Wrist Action Handles, VR Screws, Quarter-Turn Eterna Cartridges w/ Spring Checks, 9" Swing Nozzle w/ 2.2 GPM VR Aerator and 1/2" NPSM Male Inlets w/ Coupling Nuts

Product Compliance:
ASME A112.18.1 / CSA B125.1
NSF 61 - Section 9
NSF 372 (Low Lead Content)
ANSI A117.1 (ADA)