



T&S BRASS AND BRONZE WORKS, INC.

2 Saddleback Cove / P.O. Box 1088
Travelers Rest, SC 29690

Model No.

B-2360

Item No.

Travelers Rest, SC: 800-476-4103 • Simi Valley, CA: 800-423-0150 • Fax: 864-834-3518 • www.tsbrass.com



ADA Compliant

This Space for Architect/Engineer Approval

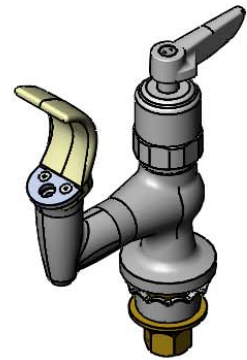
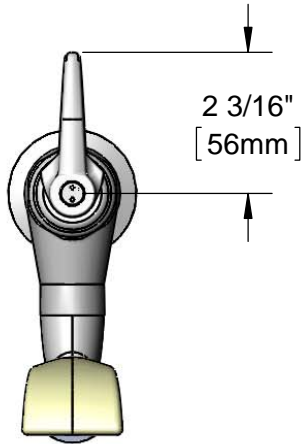
Job Name _____ Date _____

Model Specified _____ Quantity _____

Customer/Wholesaler _____

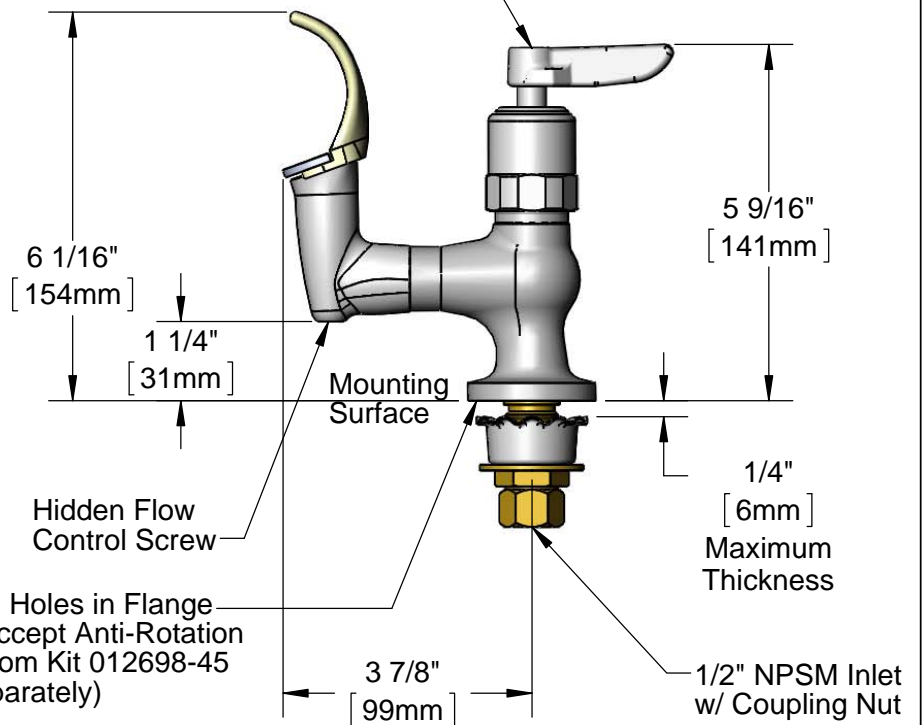
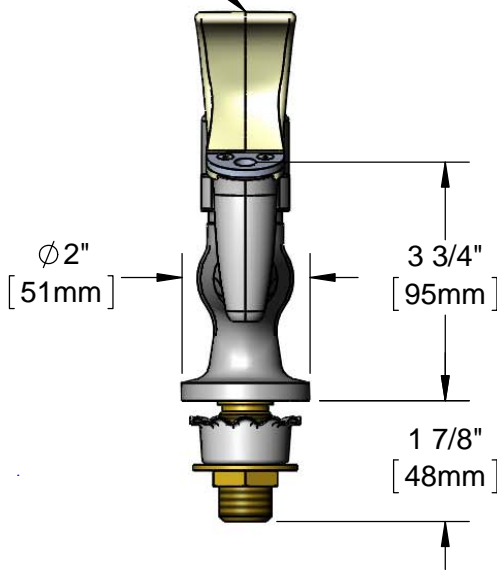
Contractor _____

Architect/Engineer _____



Fast Self-Closing Cartridge
w/ Lever Handle &
Vandal Resistant Screw
(Spanner Bit Included)

Rubber
Mouth
Guard



Hidden Flow
Control Screw

Mounting
Surface

Threaded Holes in Flange
Bottom Accept Anti-Rotation
Screws from Kit 012698-45
(Sold Separately)

Rough-In Requirement:
Ø1" [25mm] Mounting Hole

Product Specifications:
Bubbler w/ Fast Self-Closing Cartridge, Lever Handle w/ VR Screw,
Rubber Mouth Guard & 1/2" NPSM Inlet w/ Coupling Nut

Product Compliance:
ASME A112.18.1 / CSA B125.1
NSF 61 - Section 9
NSF 372 (Low Lead Content)
ANSI A117.1 (ADA)



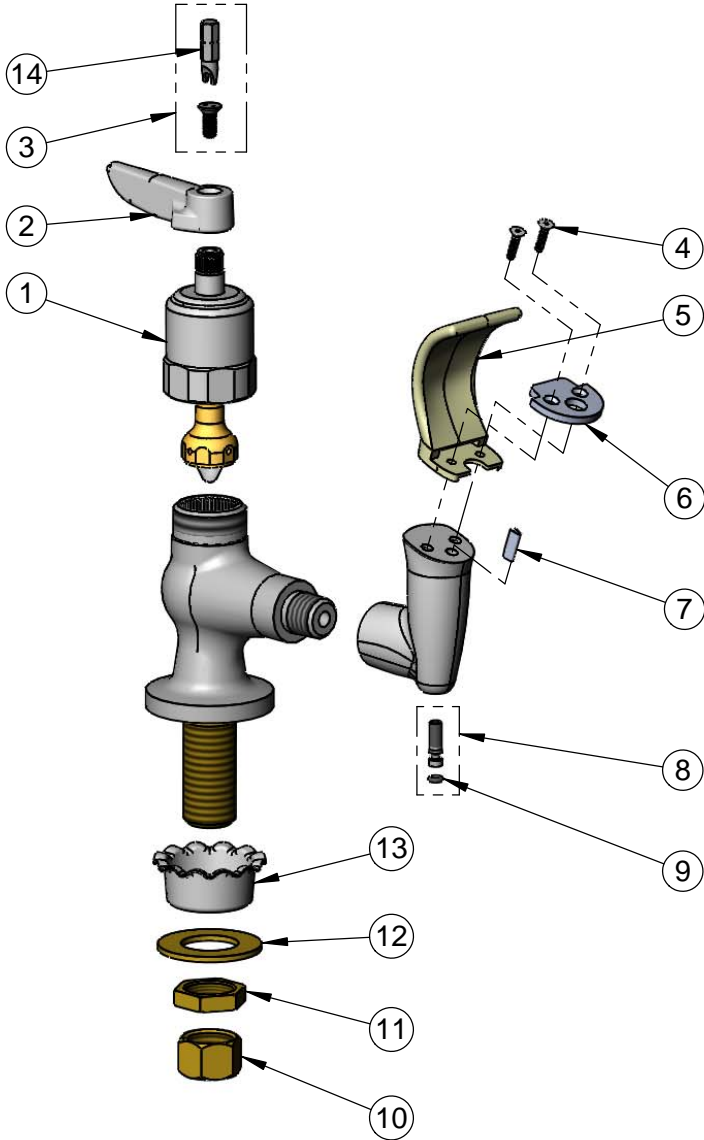
T&S BRASS AND BRONZE WORKS, INC.
 2 Saddleback Cove / P.O. Box 1088
 Travelers Rest, SC 29690

Model No.
B-2360

Item No.

Travelers Rest, SC: 800-476-4103 • Simi Valley, CA: 800-423-0150 • Fax: 864-834-3518 • www.tsbrass.com

ITEM NO.	SALES NO.	DESCRIPTION
1	015317-40	Fast Self-Close Cartridge
2	001638-45	Lever Handle
3	VRS-1	VR Screw w/ Spanner Bit
4	009598-45	Mouth Guard Screw
5	009595-45	Rubber Mouth Guard
6	009596-40	Mouth Guard Holder
7	009594-45	Flow Straightener
8	012697-45	Flow Control Screw
9	015319-45	O-Ring
10	000958-20	Coupling Nut
11	002954-45	Shank Lock Nut
12	000999-45	Brass Lock Washer
13	001000-45	Rosette Washer
14	014075-45	#10 Spanner Bit



Product Specifications:
 Bubbler w/ Fast Self-Closing Cartridge, Lever Handle w/ VR Screw,
 Rubber Mouth Guard & 1/2" NPSM Inlet w/ Coupling Nut

Product Compliance:
 ASME A112.18.1 / CSA B125.1
 NSF 61 - Section 9
 NSF 372 (Low Lead Content)
 ANSI A117.1 (ADA)