



T&S BRASS AND BRONZE WORKS, INC.
 2 Saddleback Cove / P.O. Box 1088
 Travelers Rest, SC 29690

Model No.
B-1444

Item No.

Travelers Rest, SC: 800-476-4103 • Simi Valley, CA: 800-423-0150 • Fax: 864-834-3518 • www.tsbrass.com

This Space for Architect/Engineer Approval

Job Name _____ Date _____
 Model Specified _____ Quantity _____
 Customer/Wholesaler _____
 Contractor _____
 Architect/Engineer _____

B-0963
 Continuous Pressure
 Vacuum Breaker w/
 Integral Check Valve

3/8" NPT x 36"
 Flexible Water
 Hose

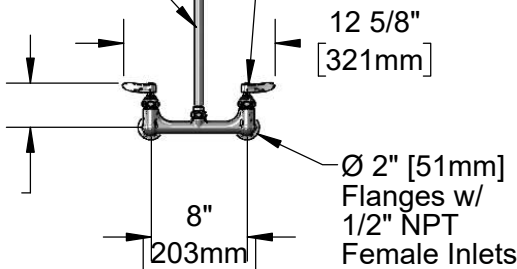
3/8" NPT x 40" Riser

Stainless Steel
 Quick Disconnect

Control Valve
 (2) B-0109-07
 Wall Brackets

EasyInstall
 3/8" NPT x 16" Riser

3 11/16"
 [94mm]

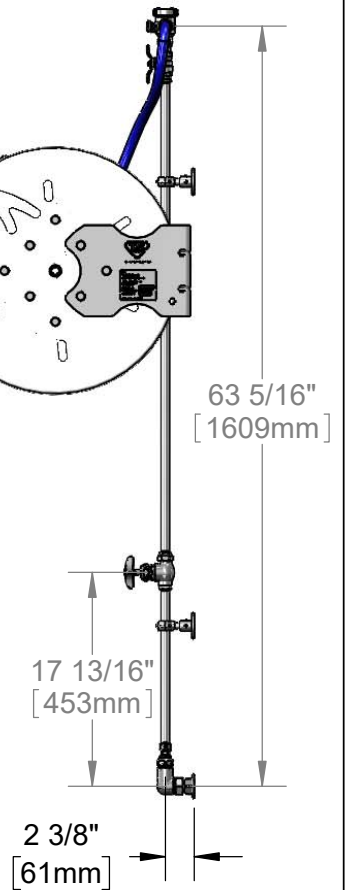
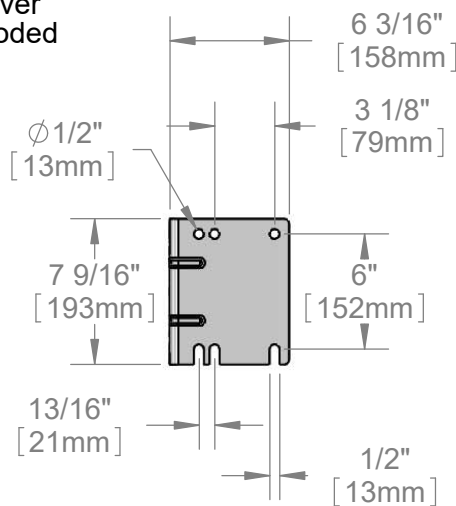


Adjustable From
 7 3/4" to 8 1/4"
 [197mm to 210mm]

Enclosed Stainless
 Steel Hose Reel w/
 50' of 3/8" Hose

019652-40
 3/8" NPT
 Live Swivel

EB-0107
 High Flow
 Spray Valve



Product Specifications:

Enclosed Stainless Steel Hose Reel w/ 50' of 3/8" Hose, High Flow Spray Valve w/ Swivel, Vacuum Breaker, 3/8" NPT Flexible Connector, 8" Wall Mount Mixing Faucet & Control Valve

Product Compliance:

NSF 61 Exempt (Non-Potable)
 2019 DOE PRSV Non-Compliant
 ASSE 1056 (VB)



T&S BRASS AND BRONZE WORKS, INC.

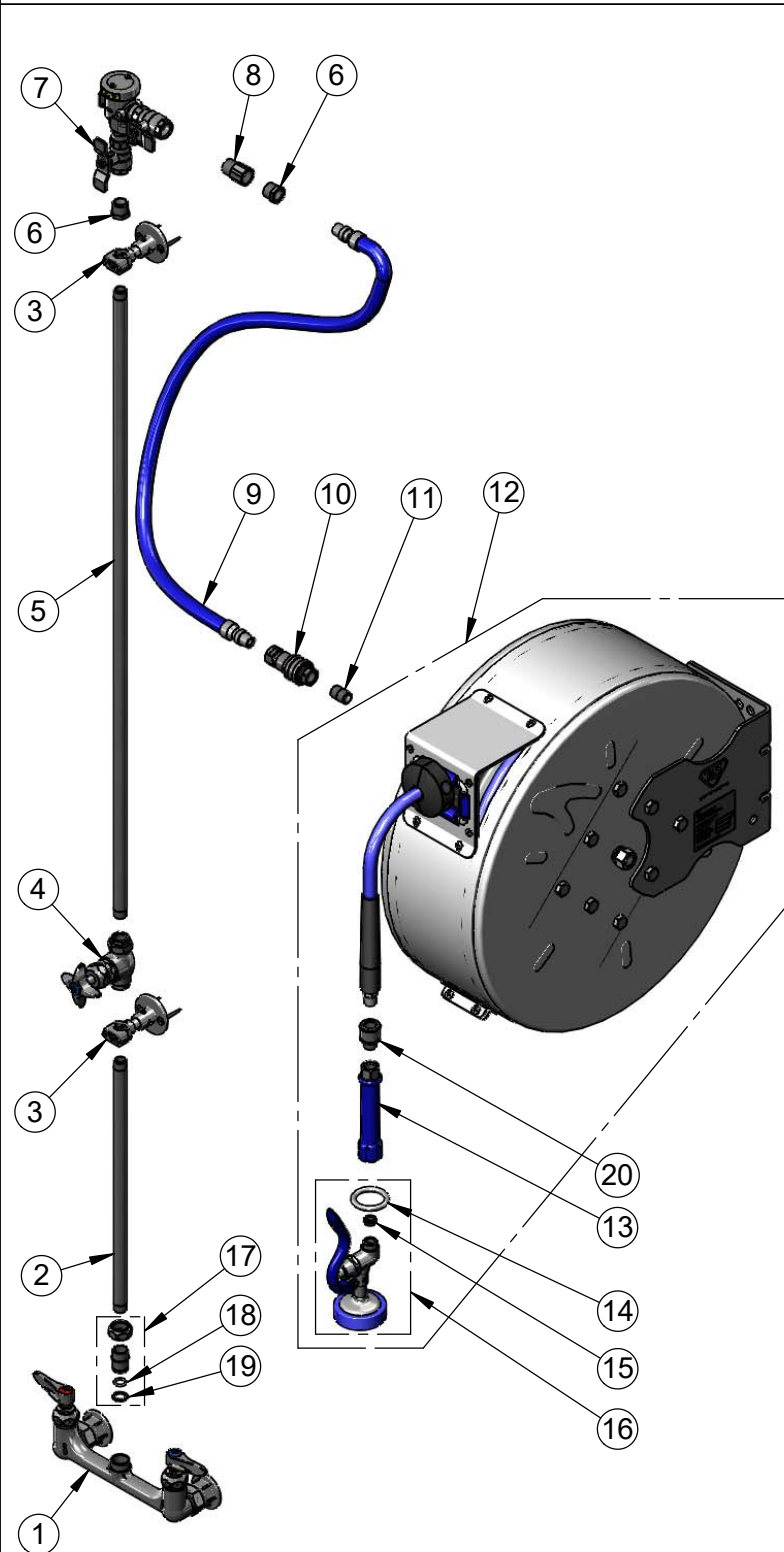
2 Saddleback Cove / P.O. Box 1088
Travelers Rest, SC 29690

Model No.

B-1444

Item No.

Travelers Rest, SC: 800-476-4103 • Simi Valley, CA: 800-423-0150 • Fax: 864-834-3518 • www.tsbrass.com



ITEM NO.	SALES NO.	DESCRIPTION
1	B-0230-LN	8" Wall Mount Mixing Faucet
2	000368-40	3/8" NPT x 16" Riser
3	B-0109-07	Wall Bracket
4	0RK3	Control Valve
5	002558-40	3/8" NPT x 40" Riser
6	001359-40	1/2" NPT Male x 3/8" NPT Female Hex Bushing
7	B-0963	1/2" NPT Continuous Pressure VB w/ Integral Check Valve
8	015073-40	Check Valve w/ 1/2" NPT Adapter
9	HW-2B-36	3/8" NPT x 36" Flexible Water Hose
10	AW-5B	3/8" NPT Quick Disconnect
11	002535-25	3/8" Close Nipple
12	B-7142-C01	Enclosed Stainless Steel Reel 50' of 3/8" Hose
13	012504-40	Grip Handle (Blue), 3/8 NPT
14	000907-45	Spray Valve Hold Down Ring
15	010476-45	#27 Washer
16	EB-0107	High Flow Spray Valve (Blue)
17	EZ-K	EasyInstall Kit
18	001065-45	O-Ring
19	014200-45	Lock Washer
20	019652-40	3/8" NPT Live Swivel

Product Specifications:
 Enclosed Stainless Steel Hose Reel w/ 50' of 3/8" Hose, High Flow Spray Valve w/ Swivel, Vacuum Breaker, 3/8" NPT Flexible Connector, 8" Wall Mount Mixing Faucet & Control Valve

Product Compliance:
 NSF 61 Exempt (Non-Potable)
 2019 DOE PRSV Non-Compliant
 ASSE 1056 (VB)