



T&S BRASS AND BRONZE WORKS, INC.

2 Saddleback Cove / P.O. Box 1088
Travelers Rest, SC 29690

Model No.

B-1433-CR

Item No.

Travelers Rest, SC: 800-476-4103 • Simi Valley, CA: 800-423-0150 • Fax: 864-834-3518 • www.tsbrass.com

This Space for Architect/Engineer Approval

Job Name _____ Date _____

Model Specified _____ Quantity _____

Customer/Wholesaler _____

Contractor _____

Architect/Engineer _____

B-0963
Continuous Pressure
Vacuum Breaker w/
Integral Check Valve

3/8" NPT x 36"
Flexible Water
Connector

Enclosed Coated Hose Reel
w/ 30' of 3/8" Hose

Stainless Steel
Quick Disconnect

019652-40
3/8" NPT
Live Swivel

63 5/16"
[1609mm]

3/8" NPT x
40" Riser

EB-0107
High Flow
Spray Valve
(Blue)

Control Valve

(2) B-0109-07
Wall Brackets

8" Wall Mount
Mixing Faucet,
Quarter-Turn
CeraMa Cartridges
w/ Check Valves
& Lever Handles
w/ Color Coded
Indexes

EasyInstall
3/8" NPT x
16" Riser

12 5/8"
[321mm]

5 1/2"
[139mm]

3 11/16"
[93mm]

8"
[203mm]
Adjustable From
7 3/4" to 8 1/4"
[197mm to 210mm]

Ø 2" [51mm]
Flanges w/
1/2" NPT
Female Inlets

2 3/8"
[60mm]

Ø 1/2"
[13mm]
Typ

17 13/16"
[453mm]

6 7/16"
[164mm]

5 1/4"
[133mm]

2 3/8"
[61mm]

3/4"
[19mm]

1/2"
[13mm]
Typ

Product Specifications:

Enclosed Coated Hose Reel w/ 30' of 3/8" Hose, High Flow Spray Valve (Blue) w/ Swivel, Vacuum Breaker, 3/8" NPT Flexible Water Connector, 8" Wall Mount Mixing Faucet w/ Quarter-Turn CeraMa Cartridges w/ Check Valves & Control Valve

Product Compliance:

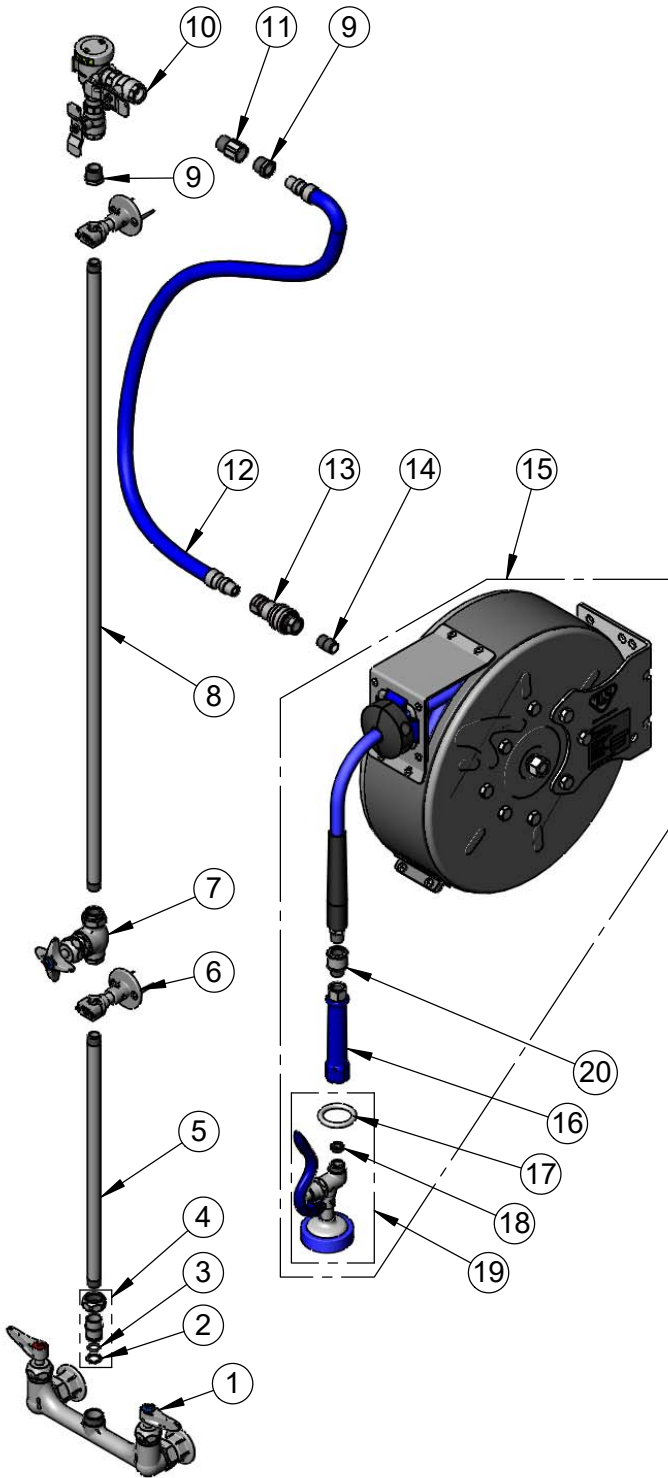
NSF 61 Exempt (Non-Potable)
2019 DOE PRSV Non-Compliant
ASSE 1056 (VB)



T&S BRASS AND BRONZE WORKS, INC.
 2 Saddleback Cove / P.O. Box 1088
 Travelers Rest, SC 29690

Model No.
B-1433-CR
 Item No.

Travelers Rest, SC: 800-476-4103 • Simi Valley, CA: 800-423-0150 • Fax: 864-834-3518 • www.tsbrass.com



ITEM NO.	SALES NO.	DESCRIPTION
1	B-0230-CR-LN	8" Wall Mount Mixing Faucet w/ Ceramas & Check Valves
2	014200-45	Star Washer, Anti-Rotation
3	001065-45	O-Ring
4	EZ-K	EasyInstall Kit
5	000368-40	3/8" NPT x 16" Riser
6	B-0109-07	Wall Bracket
7	0RK3	Control Valve
8	002558-40	3/8" NPT x 40" Riser
9	001359-40	Hex Bushing, 1/2" NPT Male x 3/8" NPT Female
10	B-0963	1/2" NPT Continuous Pressure Vacuum Breaker w/ Integral Check Valve
11	015073-40	Check Valve w/ 1/2" NPT Adapter
12	HW-2B-36	3/8" NPT x 36" Flexible Water Hose
13	AW-5B	3/8" NPT Quick Disconnect
14	002535-25	3/8" Close Nipple
15	B-7222-C01	Enclosed Hose Reel w/ 3/8" x 30' Hose
16	012504-40	Grip Handle (Blue), 3/8" NPT
17	000907-45	Spray Valve Hold Down Ring
18	010476-45	#27 Washer
19	EB-0107	High Flow Spray Valve (Blue)
20	019652-40	3/8" NPT Live Swivel

Product Specifications:

Enclosed Coated Hose Reel w/ 30' of 3/8" Hose, High Flow Spray Valve (Blue) w/ Swivel, Vacuum Breaker, 3/8" NPT Flexible Water Connector, 8" Wall Mount Mixing Faucet w/ Quarter-Turn Cerama Cartridges w/ Check Valves & Control Valve

Product Compliance:

NSF 61 Exempt (Non-Potable)
 2019 DOE PRSV Non-Compliant
 ASSE 1056 (VB)