



T&S BRASS AND BRONZE WORKS, INC.
 2 Saddleback Cove / P.O. Box 1088
 Travelers Rest, SC 29690

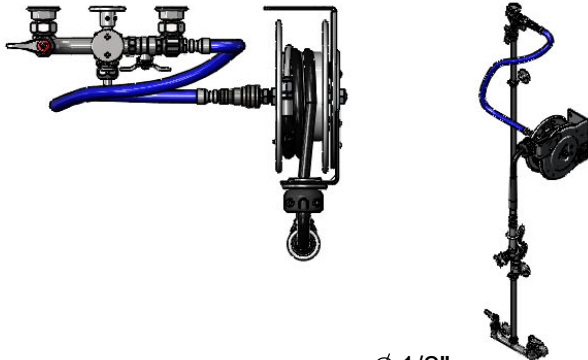
Model No.
B-1433-7102-01C

Item No.

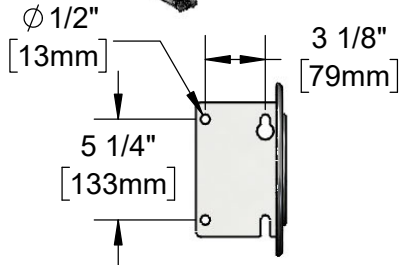
Travelers Rest, SC: 800-476-4103 • Simi Valley, CA: 800-423-0150 • Fax: 864-834-3518 • www.tsbrass.com

This Space for Architect/Engineer Approval

Job Name _____ Date _____
 Model Specified _____ Quantity _____
 Customer/Wholesaler _____
 Contractor _____
 Architect/Engineer _____



B-0963
 Continuous Pressure
 Vacuum Breaker w/
 Integral Check Valve



3/8" NPT x 36"
 Flexible Water
 Hose

019652-40
 3/8" NPT
 Live Swivel

Stainless Steel
 Quick Disconnect

Open Stainless Steel
 Hose Reel w/ 12' of
 3/8" Hose

63 5/16"
 [1609mm]

3/8" NPT x 40" Riser

B-0107-C
 0.65 GPM
 Low Flow
 Spray Valve

Control Valve

(2) B-0109-07
 Wall Brackets

Quarter-Turn
 Eterna Cartridges w/
 Spring Checks &
 Lever Handles w/
 Color Coded Indexes

EasyInstall
 3/8" NPT x 16" Riser

17 13/16"
 [453mm]

3 11/16"
 [94mm]

12 5/8"
 [321mm]

Ø 2" [51mm]
 Flanges w/
 1/2" NPT
 Female Inlets

8"
 [203mm]
 Adjustable From
 7 3/4" to 8 1/4"
 [197mm to 210mm]

2 3/8"
 [61mm]

Mounting Surface

Product Specifications:
 Open Stainless Steel Hose Reel w/ 12' of 3/8" Hose, 8" Wall Mount Faucet, Quarter-Turn Eterna w/ Spring Check, 0.65 GPM Low Flow Spray Valve w/ Swivel, Vacuum Breaker, 3/8" NPT Flexible Water Hose, Wall Brackets & Control Valve

Product Compliance:
 NSF 61 Exempt (Non-Potable)
 2019 DOE PRSV - Class I
 ASSE 1056 (VB)



T&S BRASS AND BRONZE WORKS, INC.

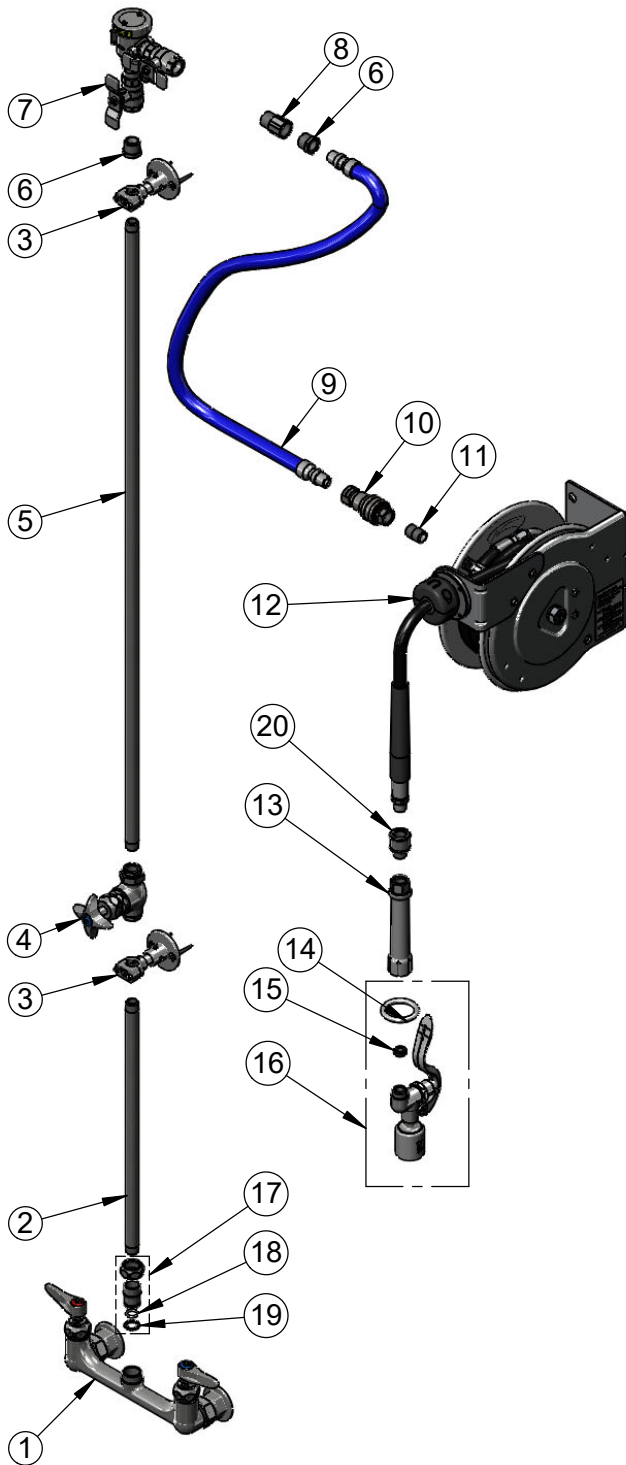
2 Saddleback Cove / P.O. Box 1088
Travelers Rest, SC 29690

Model No.

B-1433-7102-01C

Item No.

Travelers Rest, SC: 800-476-4103 • Simi Valley, CA: 800-423-0150 • Fax: 864-834-3518 • www.tsbrass.com



ITEM NO.	SALES NO.	DESCRIPTION
1	B-0330-LN	8" Wall Mount Mixing Faucet
2	000368-40	3/8" NPT x 16" Riser
3	B-0109-07	Wall Bracket
4	0RK3	Control Valve
5	002558-40	3/8" NPT x 40" Riser
6	001359-40	1/2" NPT Male x 3/8" NPT Female Hex Bushing
7	B-0963	1/2" NPT Continuous Pressure VB w/ Integral Check Valve
8	015073-40	Check Valve 1/2" NPT Adapter
9	HW-2B-36	3/8" NPT x 36" Flexible Water Hose
10	AW-5B	3/8" NPT Quick Disconnect
11	002535-25	3/8" Close Nipple
12	B-7102	Open Stainless Steel Hose Reel w/ 12' x 3/8" Hose
13	002881-40	Grip Handle
14	000907-45	Spray Valve Hold Down Ring
15	010476-45	#27 Washer
16	B-0107-C	0.65 GPM Low Flow Spray Valve
17	EZ-K	EasyInstall Kit
18	001065-45	O-Ring
19	014200-45	Star Washer, Anti-Rotation
20	019652-40	3/8" NPT Live Swivel

Product Specifications:

Open Stainless Steel Hose Reel w/ 12' of 3/8" Hose, 8" Wall Mount Faucet, Quarter-Turn Eterna w/ Spring Check, 0.65 GPM Low Flow Spray Valve w/ Swivel, Vacuum Breaker, 3/8" NPT Flexible Water Hose, Wall Brackets & Control Valve

Product Compliance:

NSF 61 Exempt (Non-Potable)
2019 DOE PRSV - Class I
ASSE 1056 (VB)