



T&S BRASS AND BRONZE WORKS, INC.
 2 Saddleback Cove / P.O. Box 1088
 Travelers Rest, SC 29690

Model No.
B-1433-04

Item No.

Travelers Rest, SC: 800-476-4103 • Simi Valley, CA: 800-423-0150 • Fax: 864-834-3518 • www.tsbrass.com

This Space for Architect/Engineer Approval

Job Name _____ Date _____
 Model Specified _____ Quantity _____
 Customer/Wholesaler _____
 Contractor _____
 Architect/Engineer _____

B-0963
 Continuous Pressure
 Vacuum Breaker w/
 Integral Check Valve

3/8" NPT x 36"
 Flexible Water
 Connector To
 Hose Reel

Stainless Steel
 Quick Disconnect

3/8" NPT x 40" Riser

Control Valve

(2) B-0109-07
 Wall Brackets

EasyInstall
 3/8" NPT x 16" Riser

3 11/16"
 [94mm]

12 5/8"
 [321mm]

Adjustable From
 7 3/4" to 8 1/4"
 [197mm to 210mm]

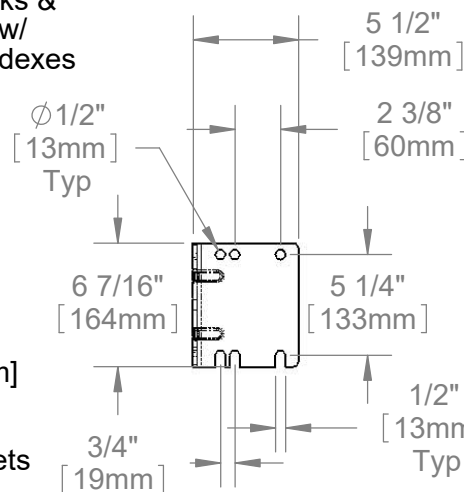
Quarter-Turn
 Eterna Cartridges
 w/ Spring Checks &
 Lever Handles w/
 Color Coded Indexes

Ø 2" [51mm]
 Flanges w/
 1/2" NPT
 Female Inlets

Enclosed Coated Hose Reel
 w/ 30' of 3/8" Hose

019652-40
 3/8" NPT
 Live Swivel

Front Trigger
 Water Gun



63 5/16"
 [1609mm]

17 13/16"
 [453mm]

2 3/8"
 [61mm]

Product Specifications:

Enclosed Coated Hose Reel w/ 30' of 3/8" Hose, Stainless Steel Front Trigger Water Gun w/ Swivel, Vacuum Breaker, 3/8" NPT Flexible Water Connector, 8" Wall Mount Mixing Faucet & Control Valve

Product Compliance:

NSF 61 Exempt (Non-Potable)
 2019 DOE PRSV Non-Compliant
 ASSE 1056 (VB)



T&S BRASS AND BRONZE WORKS, INC.

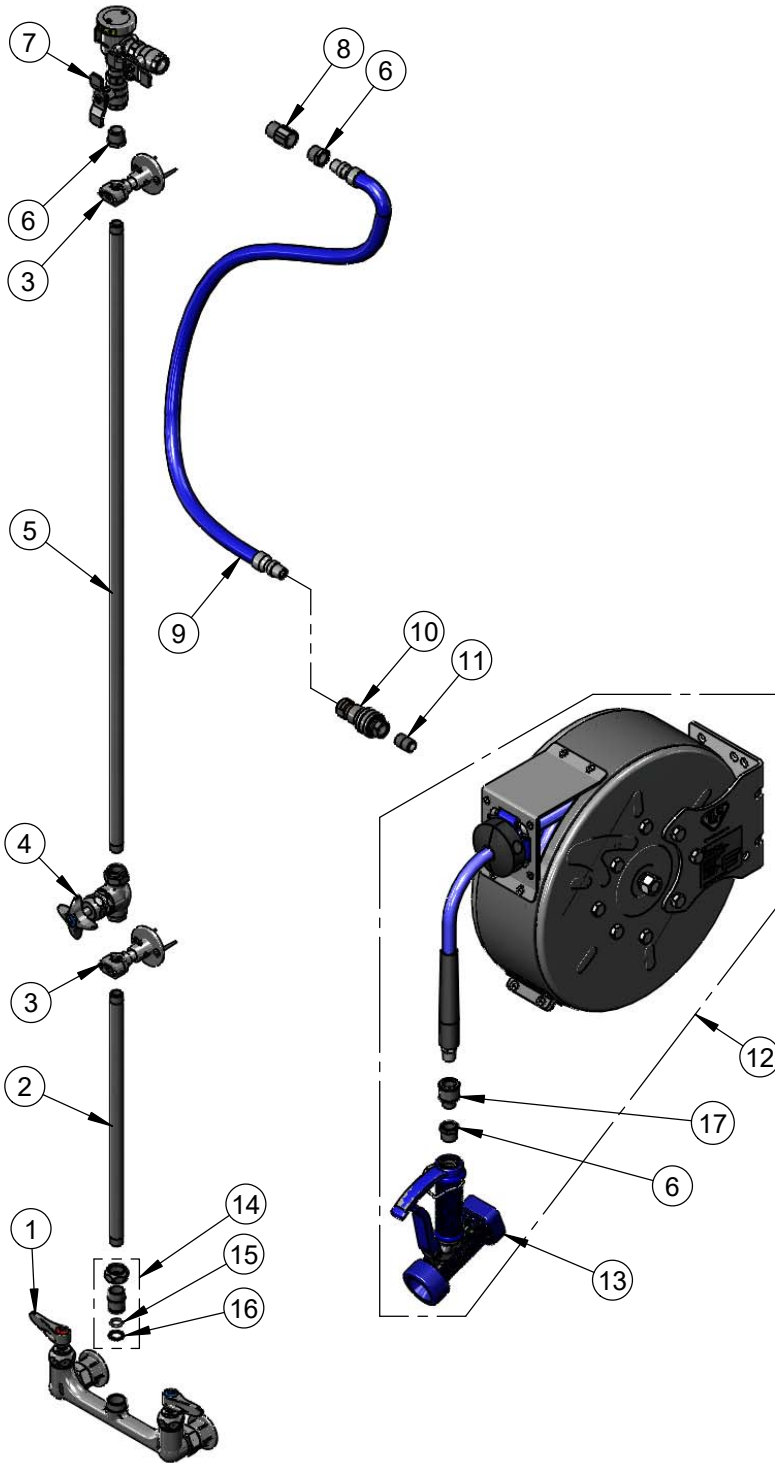
2 Saddleback Cove / P.O. Box 1088
Travelers Rest, SC 29690

Model No.

B-1433-04

Item No.

Travelers Rest, SC: 800-476-4103 • Simi Valley, CA: 800-423-0150 • Fax: 864-834-3518 • www.tsbrass.com



ITEM NO.	SALES NO.	DESCRIPTION
1	B-0230-LN	8" Wall Mount Mixing Faucet
2	000368-40	3/8" NPT x 16" Riser
3	B-0109-07	Wall Bracket
4	0RK3	0RK3 Control Valve
5	002558-40	3/8" NPT x 40" Riser
6	001359-40	1/2" NPT Male x 3/8" NPT Female Hex Bushing
7	B-0963	1/2" NPT Continuous Pressure VB w/ Integral Check Valve
8	015073-40	Check Valve w/ 1/2" NPT Adapter
9	HW-2B-36	3/8" NPT x 36" Flexible Water Hose
10	AW-5B	3/8" NPT Quick Disconnect
11	002535-25	3/8" Close Nipple
12	B-7222-C05	Enclosed Coated Reel w/ 30' of 3/8" Hose
13	MV-2522-24	Stainless Steel Water Gun, Front Trigger
14	EZ-K	EasyInstall Kit
15	001065-45	O-Ring
16	014200-45	Lock Washer
17	019652-40	3/8" NPT Live Swivel

Product Specifications:

Enclosed Coated Hose Reel w/ 30' of 3/8" Hose, Stainless Steel Front Trigger Water Gun w/ Swivel, Vacuum Breaker, 3/8" NPT Flexible Water Connector, 8" Wall Mount Mixing Faucet & Control Valve

Product Compliance:

NSF 61 Exempt (Non-Potable)
2019 DOE PRSV Non-Compliant
ASSE 1056 (VB)