



T&S BRASS AND BRONZE WORKS, INC.

2 Saddleback Cove / P.O. Box 1088
Travelers Rest, SC 29690

Model No.

B-1025-1

Item No.

Travelers Rest, SC: 800-476-4103 • Simi Valley, CA: 800-423-0150 • Fax: 864-834-3518 • www.tsbrass.com



ADA Compliant

This Space for Architect/Engineer Approval

Job Name _____ Date _____

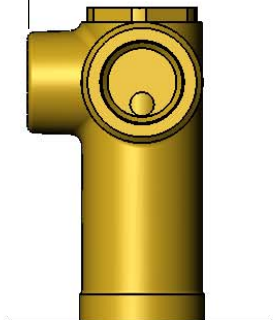
Model Specified _____ Quantity _____

Customer/Wholesaler _____

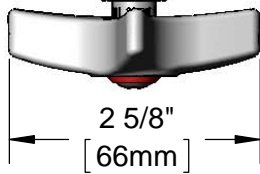
Contractor _____

Architect/Engineer _____

1 1/8"
[29mm]



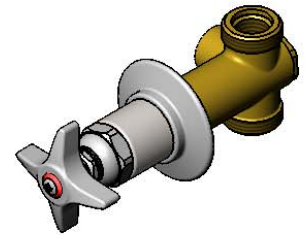
Ø 1 3/8"
[35mm]



2 5/8"
[66mm]



Eterna Cartridge
& 4-Arm Handle
w/ Red Color
Coded Index



6"
[152mm]

Ø 2 3/16" [56mm]
Adjustable Flange
w/ Set Screw

1/2" NPT
Female Outlet

2 1/2"
[64mm]

1 1/4"
[32mm]

2 1/2"
[64mm]
Minimum

1/2" NPT Female
Inlet Threads w/
Male 1 1/4-14
Thread For
T&S Union
Coupling Nut

3 1/2"
[89mm]
Maximum

Rough-In Requirement:
Ø 1 1/2" [38mm] Mounting Hole

Product Specifications:
Concealed Straight Valve, 4-Arm Handle w/ Blue (CW) Index,
1/2" Inlet & Outlet

Product Compliance:
ASME A112.18.1 / CSA B125.1
NSF 61 - Section 9
NSF 372 (Low Lead Content)
ANSI A117.1 (ADA)



T&S BRASS AND BRONZE WORKS, INC.

2 Saddleback Cove / P.O. Box 1088
Travelers Rest, SC 29690

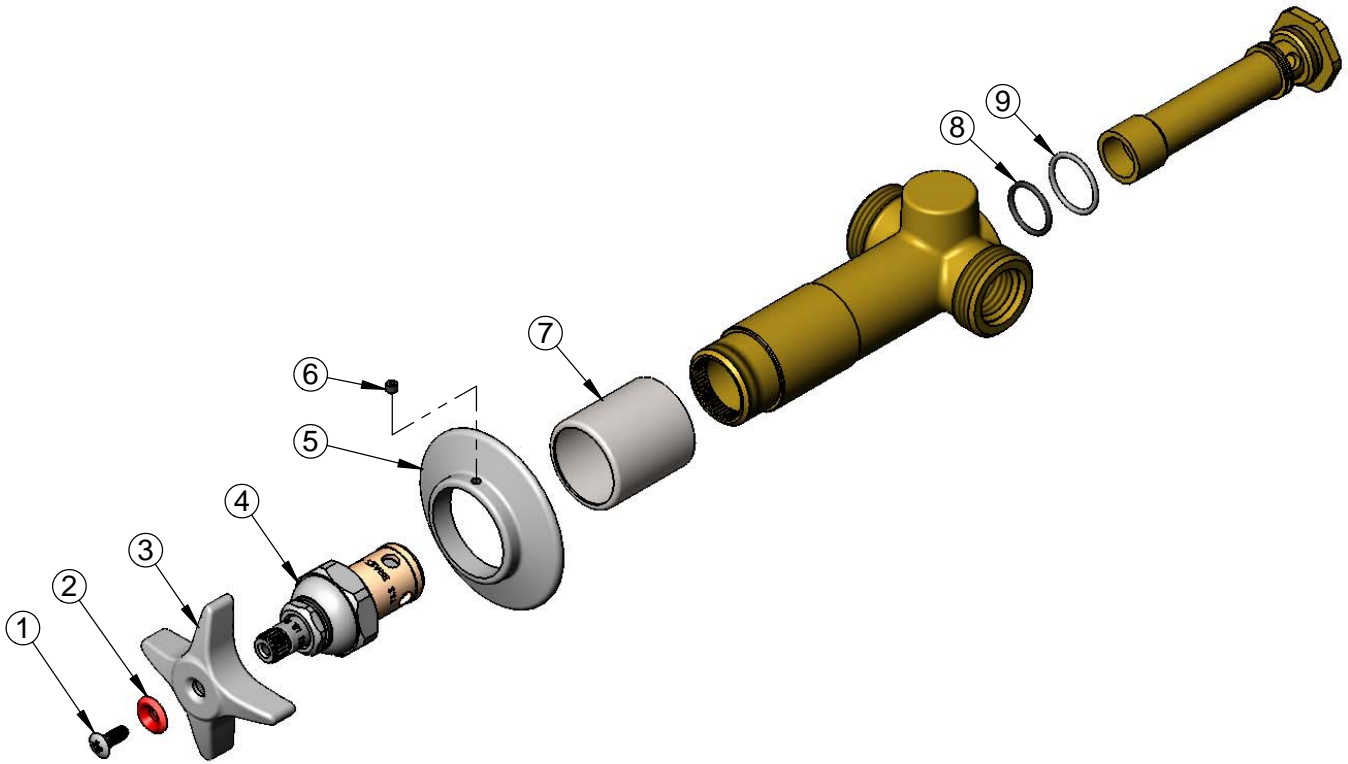
Model No.

B-1025-1

Item No.

Travelers Rest, SC: 800-476-4103 • Simi Valley, CA: 800-423-0150 • Fax: 864-834-3518 • www.tsbrass.com

ITEM NO.	SALES NO.	DESCRIPTION
1	000922-45	Lever Handle Screw
2	001661-45	Red Index-HW
3	002521-45	4-Arm Handle
4	005960-40	Eterna Cartridge, RTC
5	001501-40	Escutcheon
6	000939-45	Escutcheon, Set Screw
7	151F	Escutcheon Tube
8	001062-45	O-Ring
9	001702-45	O-Ring



Product Specifications:

Concealed Straight Valve, 4-Arm Handle w/ Blue (CW) Index,
1/2" Inlet & Outlet

Product Compliance:

ASME A112.18.1 / CSA B125.1
NSF 61 - Section 9
NSF 372 (Low Lead Content)
ANSI A117.1 (ADA)