



T&S BRASS AND BRONZE WORKS, INC.

2 Saddleback Cove / P.O. Box 1088
Travelers Rest, SC 29690

Model No.

B-0870-F12

Item No.

Travelers Rest, SC: 800-476-4103 • Simi Valley, CA: 800-423-0150 • Fax: 864-834-3518 • www.tsbrass.com

This Space for Architect/Engineer Approval

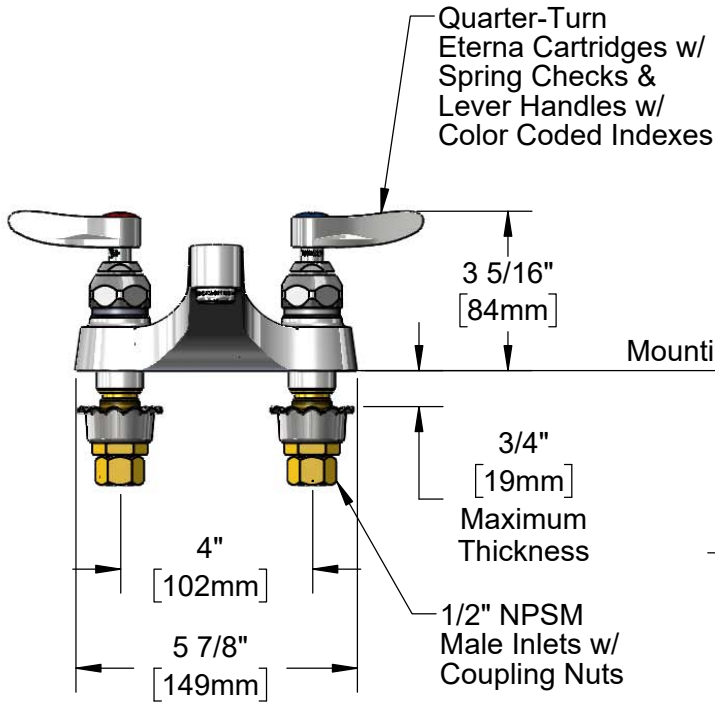
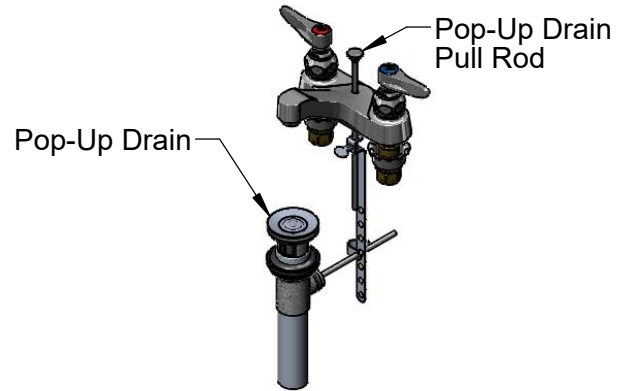
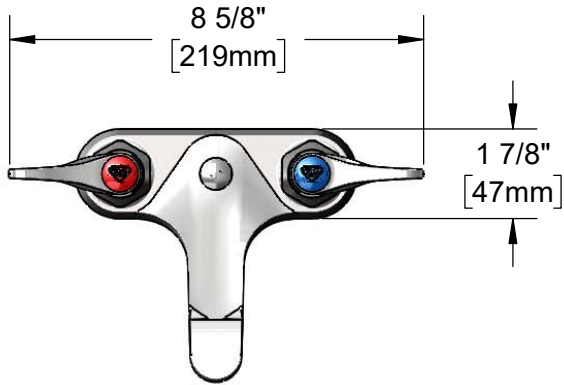
Job Name _____ Date _____

Model Specified _____ Quantity _____

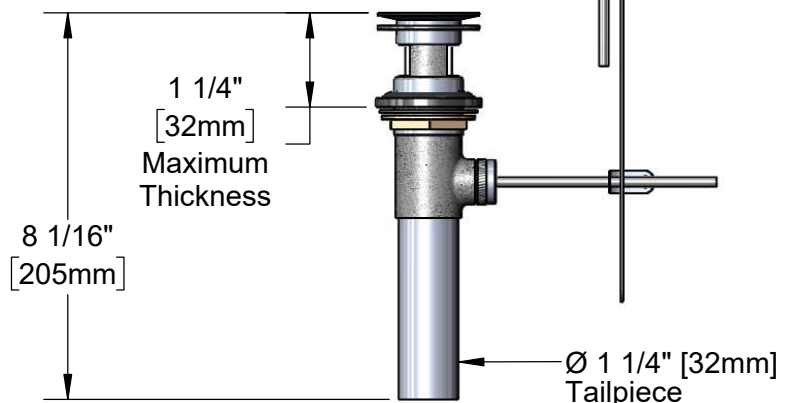
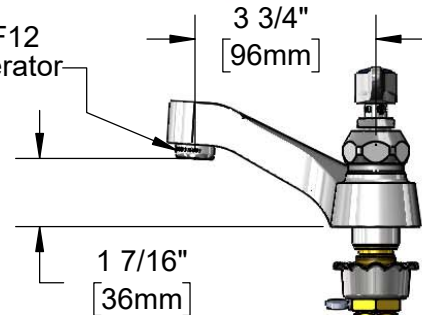
Customer/Wholesaler _____

Contractor _____

Architect/Engineer _____



B-0199-03-F12
1.2 GPM Aerator



Rough-In Requirement:

Faucet: (3) Ø 1 1/8" [29mm] Diameter Mounting Holes

Pop-Up Drain: Fits Sinks With 1 7/16" [36.5mm] to 1 3/4" [44mm] Diameter Drain Hole

Product Specifications:

4" Centerset Deck Mount Faucet, Quarter-Turn Eterna Cartridges w/ Spring Checks, Lever Handles, 1.2 GPM Aerator Outlet, Pop-Up Drain & 1/2" NPSM Male Inlets w/ Coupling Nuts

Product Compliance:

ASME A112.18.1 / CSA B125.1
NSF 61 - Section 9
NSF 372 (Low Lead Content)
ANSI A117.1 (ADA)

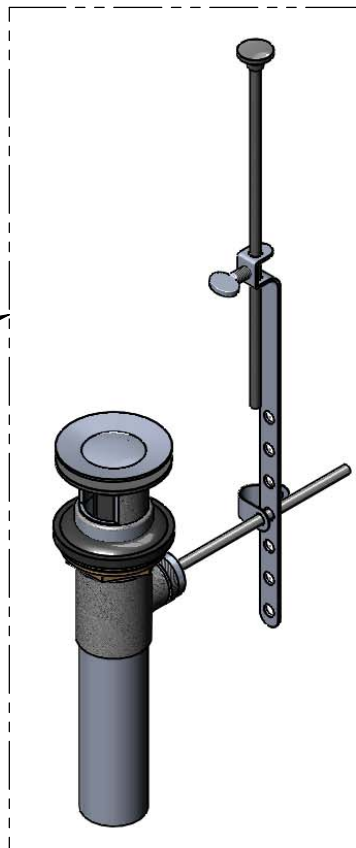
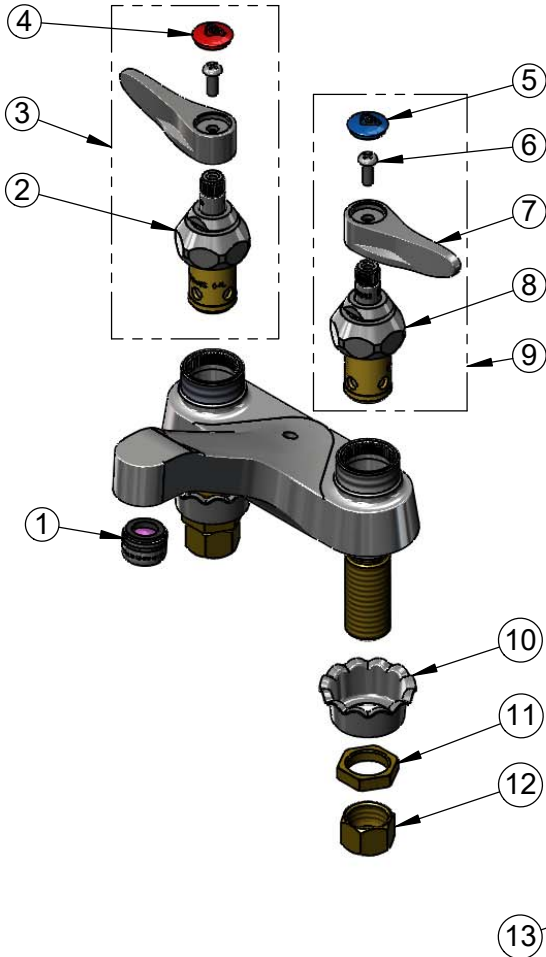


T&S BRASS AND BRONZE WORKS, INC.
 2 Saddleback Cove / P.O. Box 1088
 Travelers Rest, SC 29690

Model No.
B-0870-F12
 Item No.

Travelers Rest, SC: 800-476-4103 • Simi Valley, CA: 800-423-0150 • Fax: 864-834-3518 • www.tsbrass.com

ITEM NO.	SALES NO.	DESCRIPTION
1	B-0199-03-F12	1.2 GPM Aerator 13/16-27 UN Male Thread
2	012443-40NS	Quarter-Turn Eterna Cartridge w/ Spring Check, RTC
3	002712-40NS	Quarter-Turn Eterna Cartridge w/ Spring Check, Handle, Red Index & Screw, RTC
4	001193-19NS	Red Button Index, Press-in
5	018506-19NS	Blue Button Index, Press-in
6	000925-45	Lab Handle Screw
7	001638-45NS	Lever Handle (New Style)
8	012442-40NS	Quarter-Turn Eterna Cartridge w/ Spring Check, LTC
9	002711-40NS	Quarter-Turn Eterna Cartridge w/ Spring Check, Handle, Blue Index & Screw, LTC
10	001000-45	Rosette Washer
11	002954-45	Shank Lock Nut
12	000958-20	Coupling Nut
13	B-0898	Sink Drain w/ Pop-Up



Product Specifications:
 4" Centerset Deck Mount Faucet, Quarter-Turn Eterna Cartridges w/ Spring Checks, Lever Handles, 1.2 GPM Aerator Outlet, Pop-Up Drain & 1/2" NPSM Male Inlets w/ Coupling Nuts

Product Compliance:
 ASME A112.18.1 / CSA B125.1
 NSF 61 - Section 9
 NSF 372 (Low Lead Content)
 ANSI A117.1 (ADA)