



T&S BRASS AND BRONZE WORKS, INC.

2 Saddleback Cove / P.O. Box 1088
Travelers Rest, SC 29690

Model No.

B-0831-F10

Item No.

Travelers Rest, SC: 800-476-4103 • Simi Valley, CA: 800-423-0150 • Fax: 864-834-3518 • www.tsbrass.com



ADA Compliant

This Space for Architect/Engineer Approval

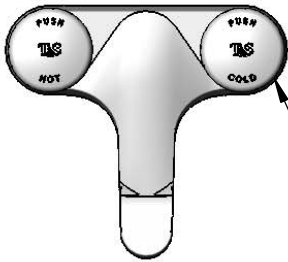
Job Name _____ Date _____

Model Specified _____ Quantity _____

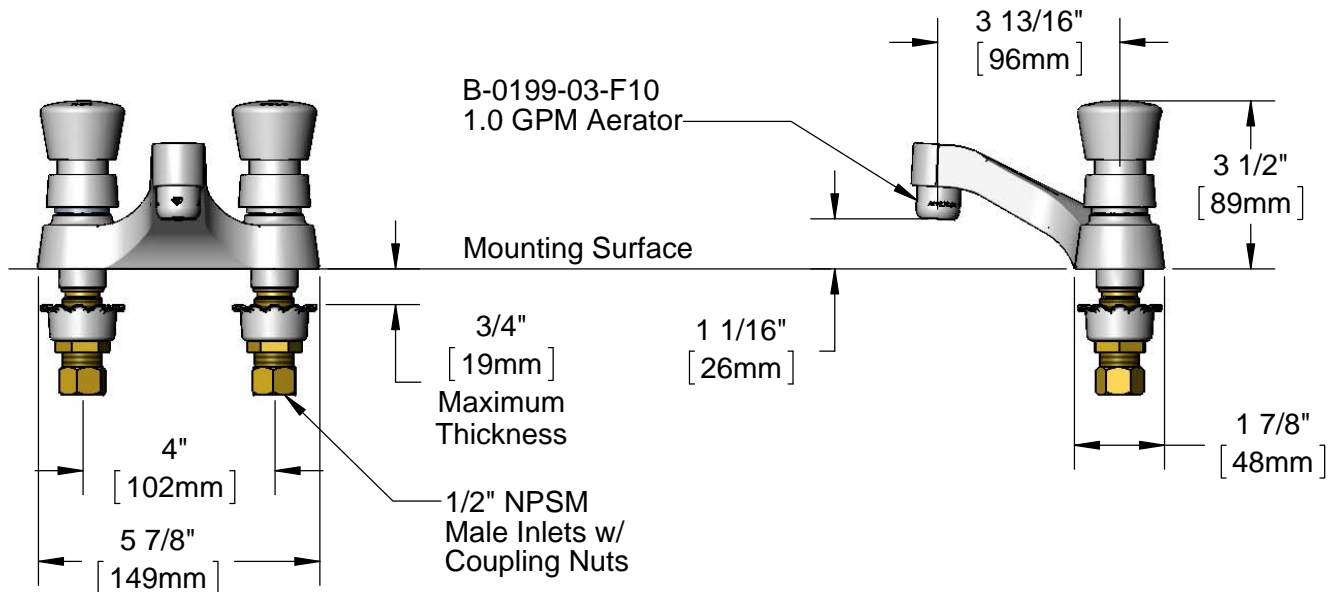
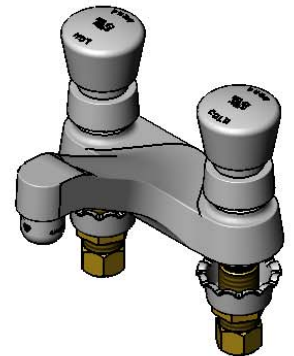
Customer/Wholesaler _____

Contractor _____

Architect/Engineer _____



Push Button Metering Cartridges
w/ Hot & Cold Handles and
Vandal Resistant Screws
(Metering Adjustment Requires
3/32" Hex Key)



Rough-In Requirement :

Ø 1 1/8" [Ø 29mm] Mounting Holes

Product Specifications:

4" Centerset Deck Mount Faucet, Push Button Metering Cartridges, 1.0 GPM Aerator & 1/2" NPSM Male Inlets w/ Coupling Nuts

Product Compliance:

ASME A112.18.1 / CSA B125.1
NSF 61 - Section 9
NSF 372 (Low Lead Content)
ANSI A117.1 (ADA)
EPA WaterSense

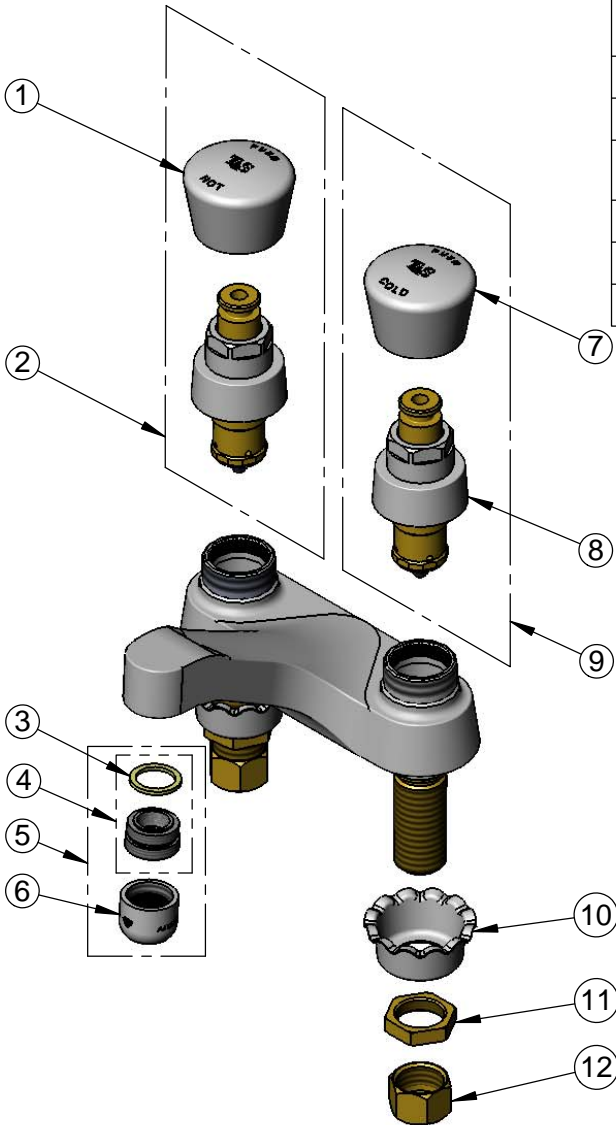


T&S BRASS AND BRONZE WORKS, INC.
 2 Saddleback Cove / P.O. Box 1088
 Travelers Rest, SC 29690

Model No.
B-0831-F10
 Item No.

Travelers Rest, SC: 800-476-4103 • Simi Valley, CA: 800-423-0150 • Fax: 864-834-3518 • www.tsbrass.com

ITEM NO.	SALES NO.	DESCRIPTION
1	014194-40	Hot Push Button Cap w/ Spanner Bit
2	238AH	Metering Cartridge w/ Hot Push Button Cap & Spanner Bit
3	001048-45	Nozzle Tip Washer
4	001651-47	Aerator Adapter
5	B-0199-03-F10	1.0 GPM Aerator, 13/16-27 UN Male
6	B-0199-01-F10	1.0 GPM Aerator, 55/64-27 UN Female
7	014195-40	Cold Push Button Cap w/ Spanner Bit
8	238A	Push Button Metering Cartridge
9	238AC	Metering Cartridge w/ Cold Push Button Cap & Spanner Bit
10	001000-45	Rosette Washer
11	002954-45	Shank Lock Nut
12	000958-20	Coupling Nut



Product Specifications:
 4" Centerset Deck Mount Faucet, Push Button Metering Cartridges, 1.0 GPM Aerator & 1/2" NPSM Male Inlets w/ Coupling Nuts

Product Compliance:
 ASME A112.18.1 / CSA B125.1
 NSF 61 - Section 9
 NSF 372 (Low Lead Content)
 ANSI A117.1 (ADA)
 EPA WaterSense