



T&S BRASS AND BRONZE WORKS, INC.

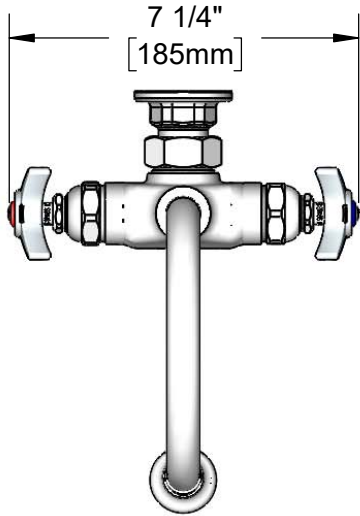
2 Saddleback Cove / P.O. Box 1088
Travelers Rest, SC 29690

Model No.

B-0815-RGH

Item No.

Travelers Rest, SC: 800-476-4103 • Simi Valley, CA: 800-423-0150 • Fax: 864-834-3518 • www.tsbrass.com



7 1/4"
[185mm]



ADA Compliant

This Space for Architect/Engineer Approval

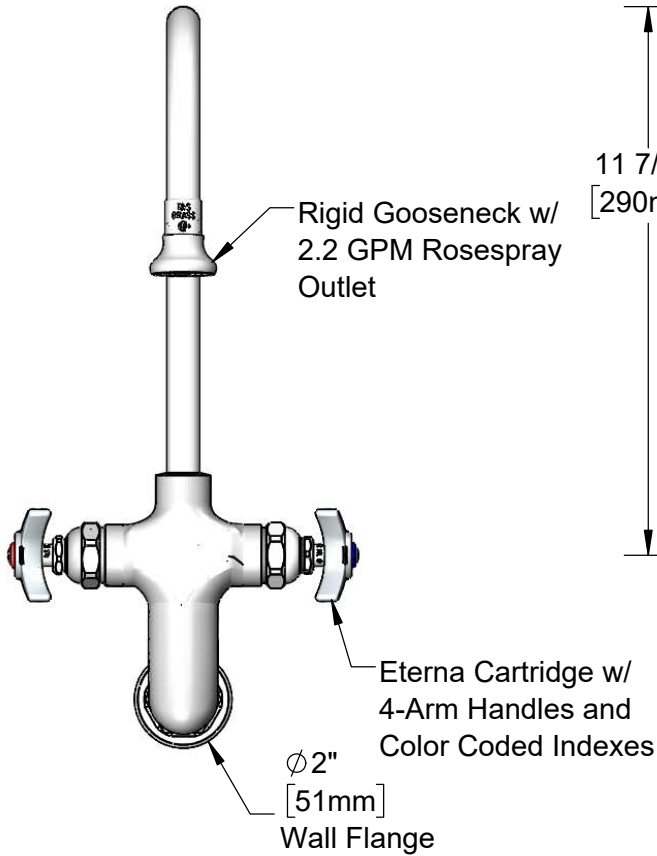
Job Name _____ Date _____

Model Specified _____ Quantity _____

Customer/Wholesaler _____

Contractor _____

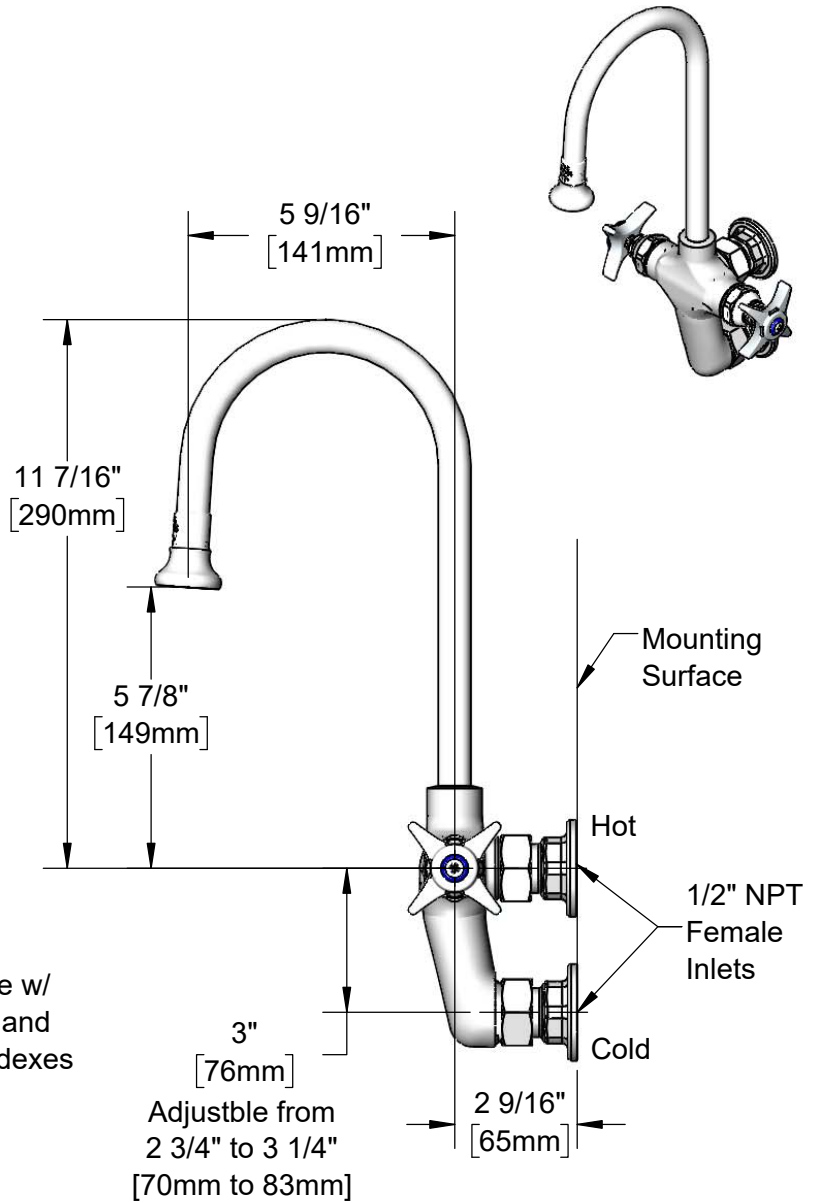
Architect/Engineer _____



Rigid Gooseneck w/
2.2 GPM Rosespray
Outlet

Eterna Cartridge w/
4-Arm Handles and
Color Coded Indexes

Ø2"
[51mm]
Wall Flange



5 9/16"
[141mm]

11 7/16"
[290mm]

5 7/8"
[149mm]

Mounting
Surface

Hot

1/2" NPT
Female
Inlets

Cold

3"
[76mm]
Adjustable from
2 3/4" to 3 1/4"
[70mm to 83mm]

2 9/16"
[65mm]

Product Specifications:

Wall Mount Vertical Mixing Faucet, 5 1/2" Rigid Gooseneck w/ 2.2 GPM
Rosespray Outlet, 4-Arm Handles and 1/2" NPT Female Inlets

Product Compliance:

ASME A112.18.1 / CSA B125.1
NSF 61 - Section 9
NSF 372 (Low Lead Content)
ANSI A117.1 (ADA)



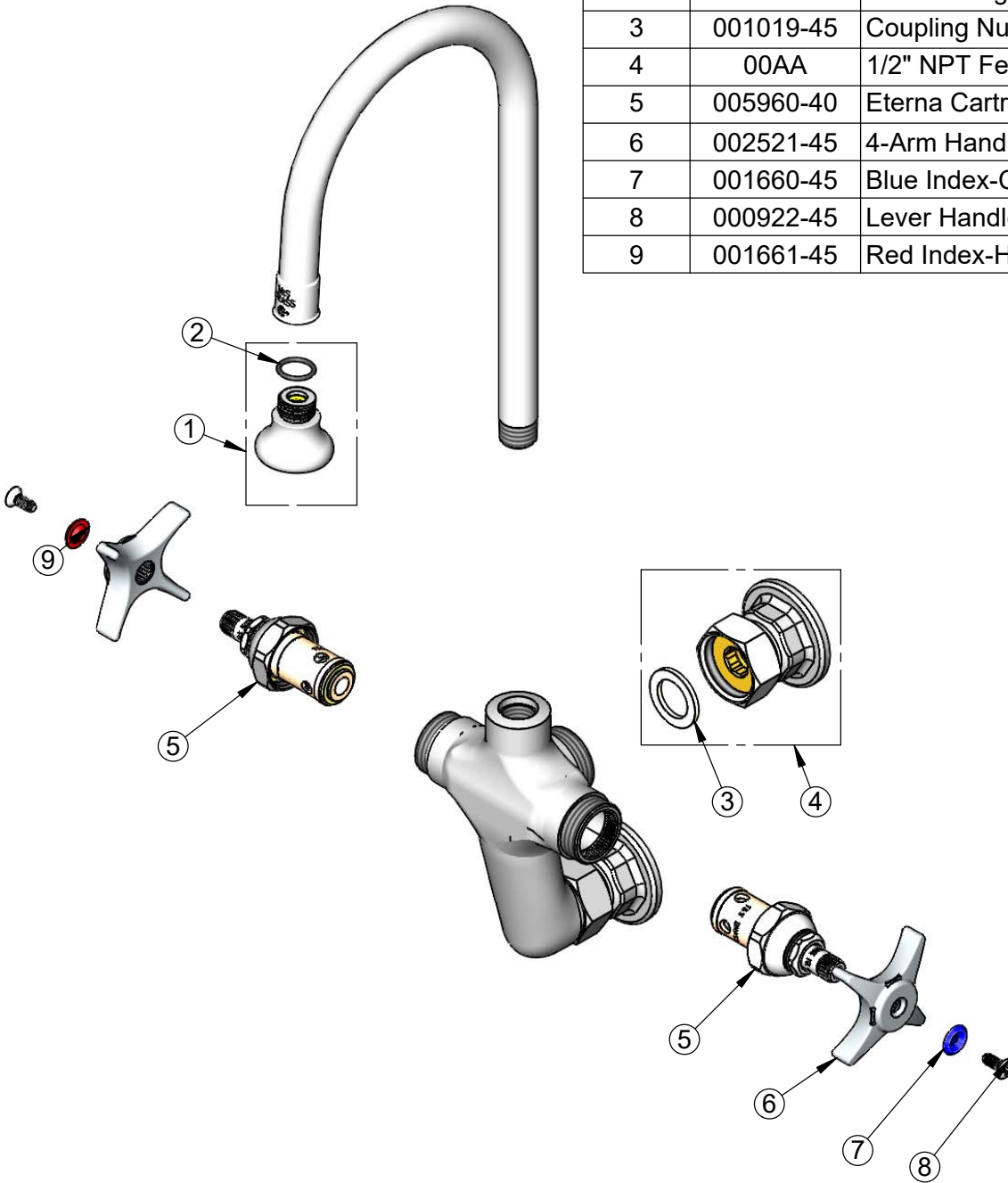
T&S BRASS AND BRONZE WORKS, INC.
 2 Saddleback Cove / P.O. Box 1088
 Travelers Rest, SC 29690

Model No.
B-0815-RGH

Item No.

Travelers Rest, SC: 800-476-4103 • Simi Valley, CA: 800-423-0150 • Fax: 864-834-3518 • www.tsbrass.com

ITEM NO.	SALES NO.	DESCRIPTION
1	B-0103	2.2 GPM Rosespray Outlet
2	006575-45	-015 O-Ring
3	001019-45	Coupling Nut Washer
4	00AA	1/2" NPT Female Eccentric Flange
5	005960-40	Eterna Cartridge, RTC
6	002521-45	4-Arm Handle
7	001660-45	Blue Index-CW
8	000922-45	Lever Handle Screw
9	001661-45	Red Index-HW



Product Specifications:
 Wall Mount Vertical Mixing Faucet, 5 1/2" Rigid Gooseneck w/ 2.2 GPM
 Rosespray Outlet, 4-Arm Handles and 1/2" NPT Female Inlets

Product Compliance:
 ASME A112.18.1 / CSA B125.1
 NSF 61 - Section 9
 NSF 372 (Low Lead Content)
 ANSI A117.1 (ADA)