



T&S BRASS AND BRONZE WORKS, INC.
 2 Saddleback Cove / P.O. Box 1088
 Travelers Rest, SC 29690

Model No.
B-0674-CR-BSTR

Item No.

Travelers Rest, SC: 800-476-4103 • Simi Valley, CA: 800-423-0150 • Fax: 864-834-3518 • www.tsbrass.com



ADA Compliant

This Space for Architect/Engineer Approval

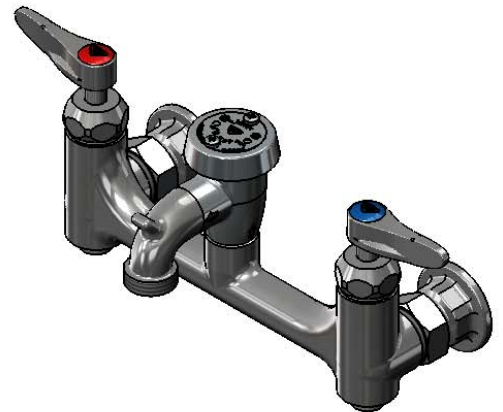
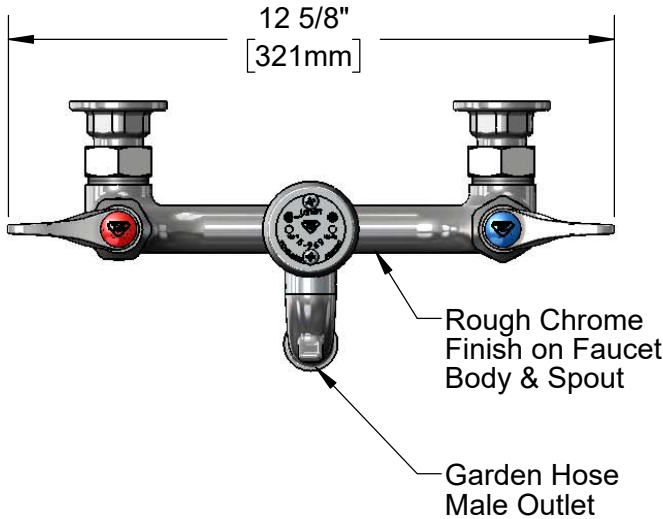
Job Name _____ Date _____

Model Specified _____ Quantity _____

Customer/Wholesaler _____

Contractor _____

Architect/Engineer _____

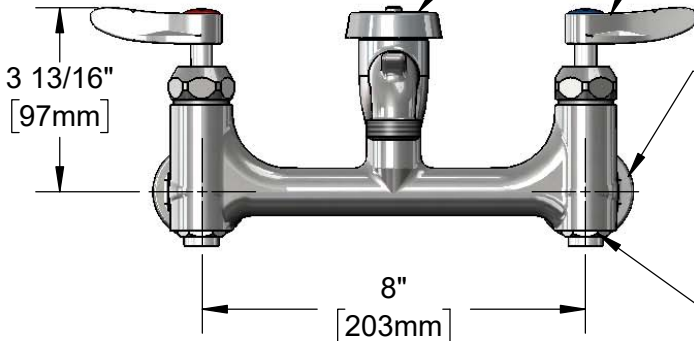


B-0969
 1/2" NPT Atmospheric Vacuum Breaker

Quarter-Turn Cerama Cartridges w/
 Check Valves & Lever Handles w/
 Color Coded Indexes

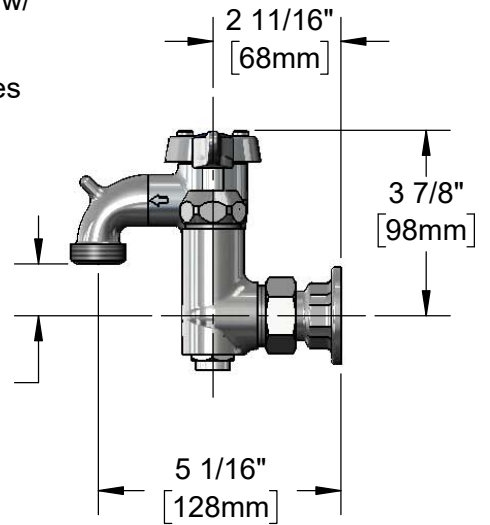
Ø 2" [51mm] Flanges w/
 1/2" NPT Female Inlets

Integral Service Stop



Adjustable From 7 3/4" to 8 1/4" [197mm to 210mm]

1 1/16" [27mm]



Product Specifications:

8" Wall Mount Service Sink w/ Inlet Stops, Quarter-Turn Cerama Cartridges w/ Check Valves, Spout w/ Garden Hose Male Outlet, Rough Chrome Finish, Lever Handles, 1/2" NPT Vacuum Breaker & 1/2" NPT Female Inlets

Product Compliance:

ASME A112.18.1 / CSA B125.1
 NSF 61 - Section 9
 NSF 372 (Low Lead Content)
 ANSI A117.1 (ADA)
 ASSE 1001 (VB)



T&S BRASS AND BRONZE WORKS, INC.

2 Saddleback Cove / P.O. Box 1088
Travelers Rest, SC 29690

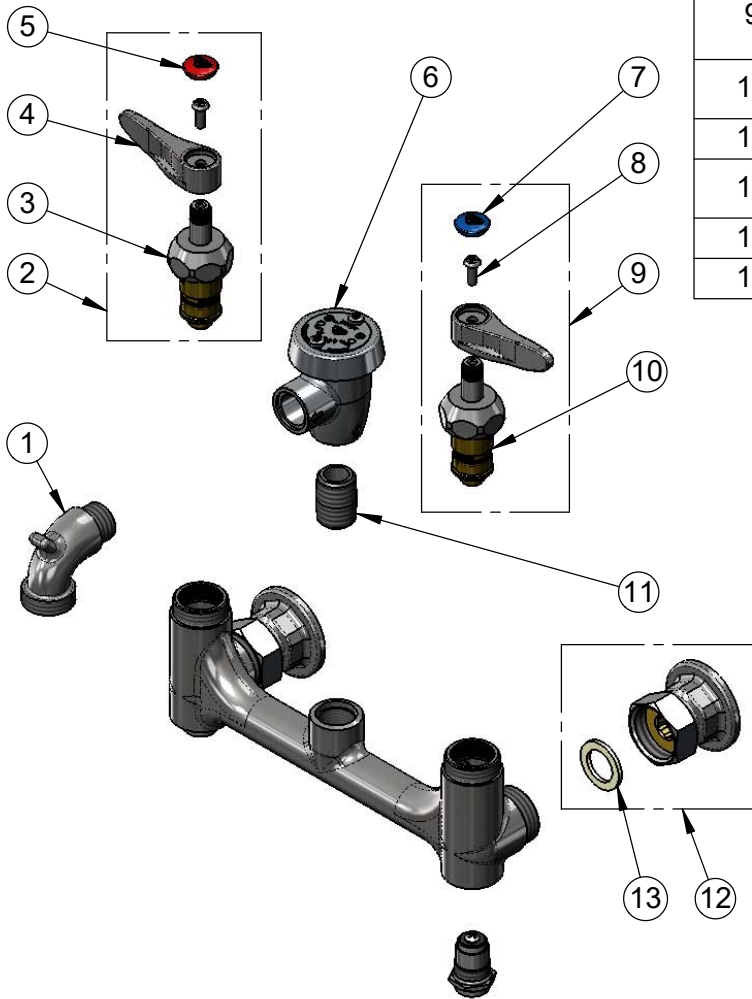
Model No.

B-0674-CR-BSTR

Item No.

Travelers Rest, SC: 800-476-4103 • Simi Valley, CA: 800-423-0150 • Fax: 864-834-3518 • www.tsbrass.com

ITEM NO.	SALES NO.	DESCRIPTION
1	000270-25	Rough Chrome Spout w/ Garden Hose Outlet
2	012446-25NS	Quarter-Turn Cerama Cartridge, RTC w/ Check Valve, Handle, Index & Screw
3	012395-25NS	Quarter-Turn Cerama Cartridge, RTC w/ Check Valve
4	001638-45NS	Lever Handle (New Style)
5	001193-19NS	Red Button Index, Press-in
6	B-0969	1/2" NPT Vacuum Breaker
7	018506-19NS	Blue Button Index, Press-in
8	000925-45	Lab Handle Screw
9	012447-25NS	Quarter-Turn Cerama Cartridge, LTC w/ Check Valve, Handle, Index & Screw
10	012394-25NS	Quarter-Turn Cerama Cartridge, LTC w/ Check Valve
11	002534-25	Close Nipple, 1/2" NPT
12	00AA	1/2" NPT Female Eccentric Flange
13	001019-45	Coupling Nut Washer
14	163A	Built-in Service Stop



Product Specifications:

8" Wall Mount Service Sink w/ Inlet Stops, Quarter-Turn Cerama Cartridges w/ Check Valves, Spout w/ Garden Hose Male Outlet, Rough Chrome Finish, Lever Handles, 1/2" NPT Vacuum Breaker & 1/2" NPT Female Inlets

Product Compliance:

ASME A112.18.1 / CSA B125.1
NSF 61 - Section 9
NSF 372 (Low Lead Content)
ANSI A117.1 (ADA)
ASSE 1001 (VB)