



T&S BRASS AND BRONZE WORKS, INC.

2 Saddleback Cove / P.O. Box 1088
Travelers Rest, SC 29690

Model No.

B-0655-03

Item No.

Travelers Rest, SC: 800-476-4103 • Simi Valley, CA: 800-423-0150 • Fax: 864-834-3518 • www.tsbrass.com



ADA Compliant

This Space for Architect/Engineer Approval

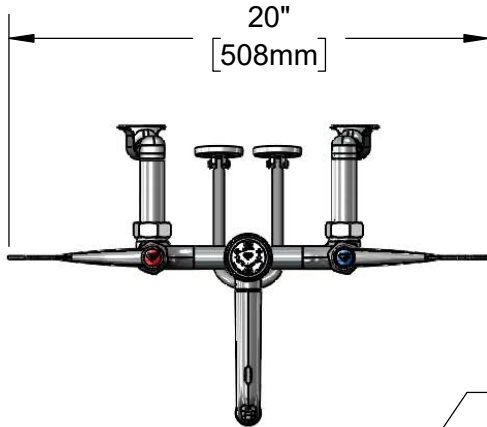
Job Name _____ Date _____

Model Specified _____ Quantity _____

Customer/Wholesaler _____

Contractor _____

Architect/Engineer _____



B-0969
1/2" NPT Vacuum Breaker

Quarter-Turn Eterna
Cartridges w/ Spring
Checks & 6" Wrist
Action Handles
w/ Color Coded Indexes

Garden Hose
Male Outlet

Ø 2" [51mm]
Flanges w/
1/2" NPT
Female Inlets

Built-In Service
Stops

Lower Wall Support
w/ Wall Bracket &
Mounting Screws

Inlets Adjustable
from 3 1/4" [83mm]
to 12 3/4" [324mm]
Below or Above
Centerline

Extension
Bushing

Mounting
Surface

8 5/16"
[211mm]

5 1/2"
[139mm]

11 15/16"
[304mm]

5 3/8"
[137mm]

2 7/16"
[62mm]

Product Specifications:

8" Wall Mount Service Sink Faucet, Quarter-Turn Eterna Cartridges w/ Spring Checks, 6" Wrist Action Handles, Lower Support Rod, Garden Hose Male Outlet, Polished Chrome Finish, 1/2" NPT Vacuum Breaker & 1/2" NPT Extended Adjustable Inlets w/ Supply Stops

Product Compliance:

ASME A112.18.1 / CSA B125.1
NSF 61 - Section 9
NSF 372 (Low Lead Content)
ANSI A117.1 (ADA)
ASSE 1001 (VB)



T&S BRASS AND BRONZE WORKS, INC.

2 Saddleback Cove / P.O. Box 1088
Travelers Rest, SC 29690

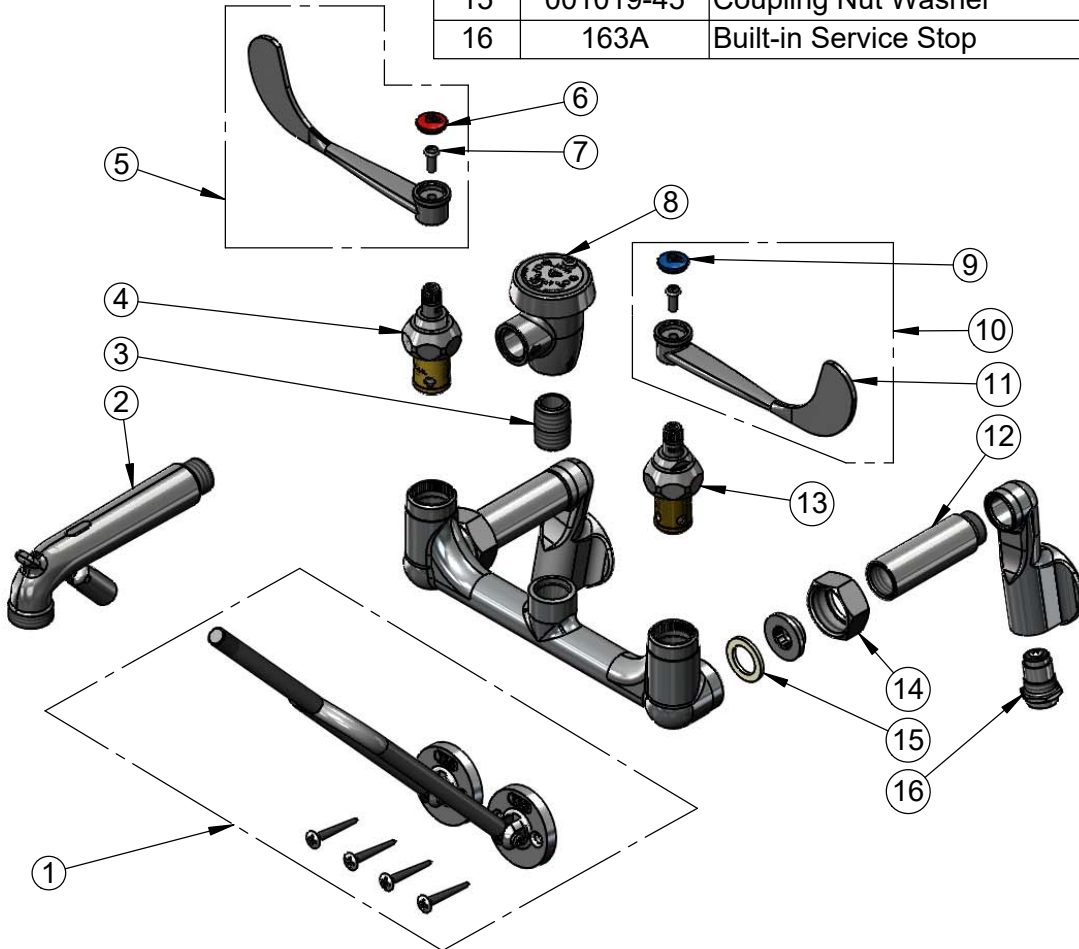
Model No.

B-0655-03

Item No.

Travelers Rest, SC: 800-476-4103 • Simi Valley, CA: 800-423-0150 • Fax: 864-834-3518 • www.tsbrass.com

ITEM NO.	SALES NO.	DESCRIPTION
1	014490-40	Lower Support Rod w/ Mounting Screws
2	016450-40	Spout, Polished Chrome w/ Bottom Support
3	002534-25	Close Nipple, 1/2" NPT
4	012443-40NS	Quarter-Turn Eterna Cartridge w/ Spring Check, RTC
5	B-WH6H-NS	6" Wrist Action Handle, Red Index & Screw
6	001193-19NS	Red Button Index, Press-in
7	000925-45	Lab Handle Screw </td
8	B-0969	1/2" NPT Vacuum Breaker
9	018506-19NS	Blue Button Index, Press-in
10	B-WH6C-NS	6" Wrist Action Handle, Blue Index & Screw
11	B-WH6	6" Wrist Action Handle
12	000610-25	Extension Bushing, 2 3/4" Long
13	012442-40NS	Quarter-Turn Eterna Cartridge w/ Spring Check, LTC
14	000721-25	Flange Coupling Nut
15	001019-45	Coupling Nut Washer
16	163A	Built-in Service Stop



Product Specifications:

8" Wall Mount Service Sink Faucet, Quarter-Turn Eterna Cartridges w/ Spring Checks, 6" Wrist Action Handles, Lower Support Rod, Garden Hose Male Outlet, Polished Chrome Finish, 1/2" NPT Vacuum Breaker & 1/2" NPT Extended Adjustable Inlets w/ Supply Stops

Product Compliance:

ASME A112.18.1 / CSA B125.1
NSF 61 - Section 9
NSF 372 (Low Lead Content)
ANSI A117.1 (ADA)
ASSE 1001 (VB)