



**T&S BRASS AND BRONZE WORKS, INC.**

2 Saddleback Cove / P.O. Box 1088  
Travelers Rest, SC 29690

Model No.

**B-0491-01**

Item No.

Travelers Rest, SC: 800-476-4103 • Simi Valley, CA: 800-423-0150 • Fax: 864-834-3518 • www.tsbrass.com



**ADA Compliant**

This Space for Architect/Engineer Approval

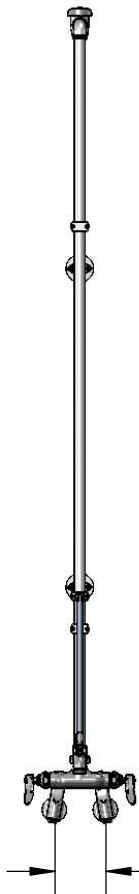
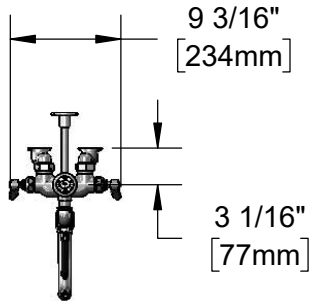
Job Name \_\_\_\_\_ Date \_\_\_\_\_

Model Specified \_\_\_\_\_ Quantity \_\_\_\_\_

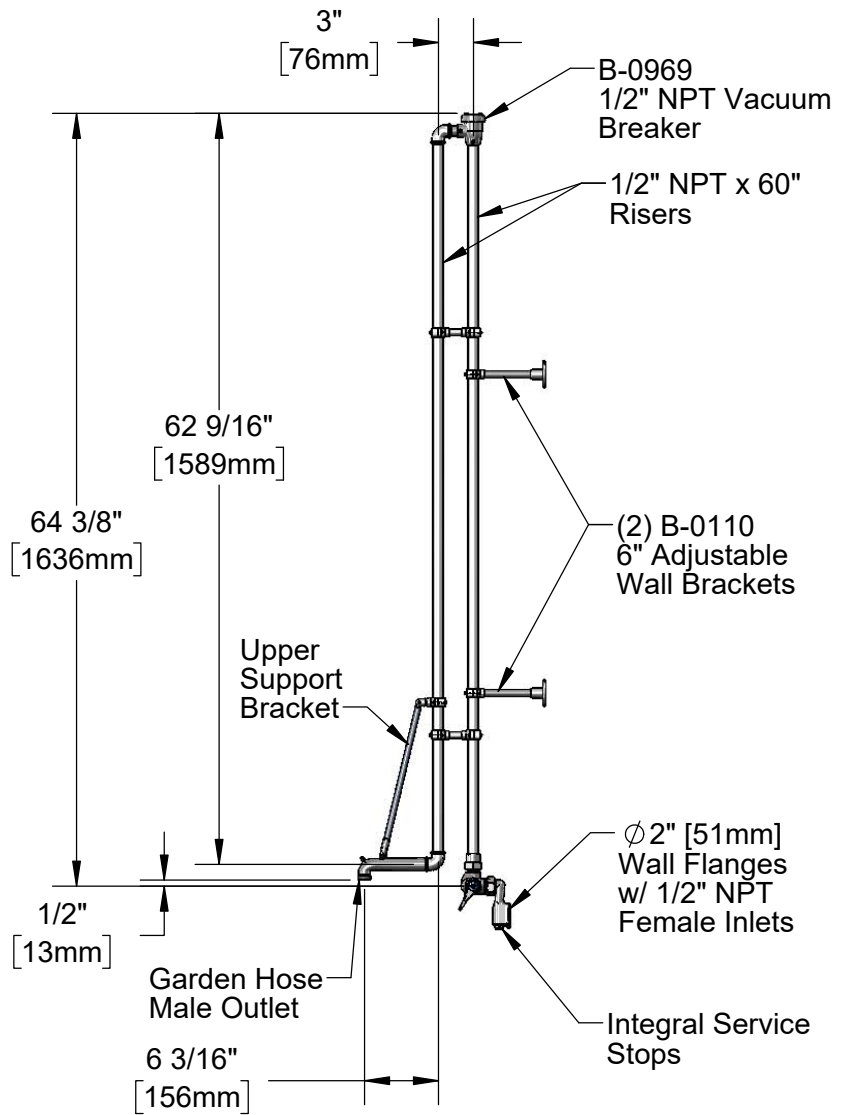
Customer/Wholesaler \_\_\_\_\_

Contractor \_\_\_\_\_

Architect/Engineer \_\_\_\_\_



Inlets Adjustable from  
2 1/4" to 8 1/4"  
[57mm to 210mm]  
Below or Above  
Centerline



**Product Specifications:**

Wall Mount Service Sink Faucet, Quarter-Turn Eterna Cartridges w/ Spring Checks, Lever Handles, Garden Hose Male Outlet, Polished Chrome Finish, Elevated 1/2" NPT Vacuum Breaker, 6" Wall Brackets & 1/2" NPT Female Adjustable Arm Inlets w/ Integral Service Stops

**Product Compliance:**

ASME A112.18.1 / CSA B125.1  
NSF 61 - Section 9  
NSF 372 (Low Lead Content)  
ANSI A117.1 (ADA)  
ASSE 1001 (VB)



# T&S BRASS AND BRONZE WORKS, INC.

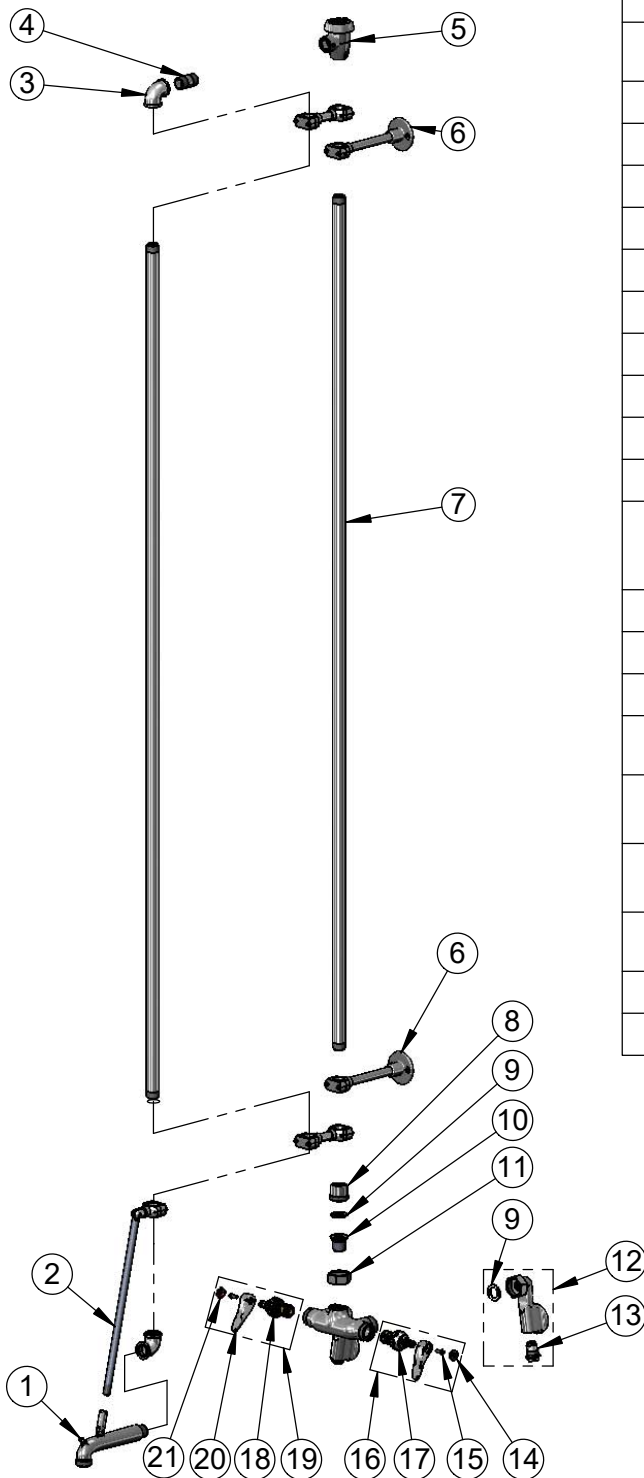
2 Saddleback Cove / P.O. Box 1088  
Travelers Rest, SC 29690

Model No.

**B-0491-01**

Item No.

Travelers Rest, SC: 800-476-4103 • Simi Valley, CA: 800-423-0150 • Fax: 864-834-3518 • www.tsbrass.com



ITEM NO.	SALES NO.	DESCRIPTION
1	009545-40	Spout w/ Male GH Outlet & Upper Clevis, Polished Chrome
2	009541-40	Nozzle Upper Support
3	001357-40	Cast Elbow, 1/2"
4	001509-40	Nipple, 1/2" NPT X 1 1/2"
5	B-0969	1/2" NPT Vacuum Breaker
6	B-0110	6" Wall Bracket
7	001678-40	1/2" NPT x 60" Riser
8	000870-40	Male Half Union
9	001019-45	Coupling Nut Washer
10	000688-25	Insert, 1/2 NPT Male Union
11	000721-25	Flange Coupling Nut
12	00XX-POL	1/2" NPT Female Adjustable Arm Inlet w/ Integral Service Stop - Polished Chrome
13	163A	Built-in Service Stop
14	018506-19NS	Blue Button Index, Press-in
15	000925-45	Lab Handle Screw
16	002711-40NS	Quarter-Turn Eterna Cartridge w/ Spring Check, Handle, Blue Index & Screw, LTC
17	012442-40NS	Quarter-Turn Eterna Cartridge w/ Spring Check, LTC
18	012443-40NS	Quarter-Turn Eterna Cartridge w/ Spring Check, RTC
19	002712-40NS	Quarter-Turn Eterna Cartridge w/ Spring Check, Handle, Red Index & Screw, RTC
20	001638-45NS	Lever Handle (New Style)
21	001193-19NS	Red Button Index, Press-in

**Product Specifications:**

Wall Mount Service Sink Faucet, Quarter-Turn Eterna Cartridges w/ Spring Checks, Lever Handles, Garden Hose Male Outlet, Polished Chrome Finish, Elevated 1/2" NPT Vacuum Breaker, 6" Wall Brackets & 1/2" NPT Female Adjustable Arm Inlets w/ Integral Service Stops

**Product Compliance:**

ASME A112.18.1 / CSA B125.1  
NSF 61 - Section 9  
NSF 372 (Low Lead Content)  
ANSI A117.1 (ADA)  
ASSE 1001 (VB)