



T&S BRASS AND BRONZE WORKS, INC.

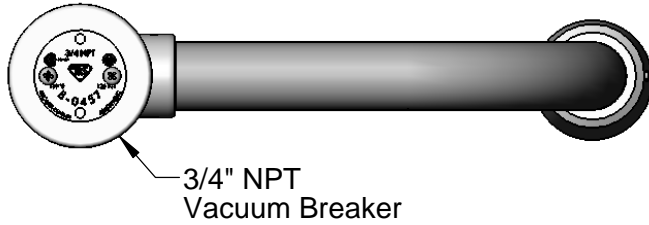
2 Saddleback Cove / P.O. Box 1088
Travelers Rest, SC 29690

Model No.

B-0457

Item No.

Travelers Rest, SC: 800-476-4103 • Simi Valley, CA: 800-423-0150 • Fax: 864-834-3518 • www.tsbrass.com



3/4" NPT
Vacuum Breaker

This Space for Architect/Engineer Approval

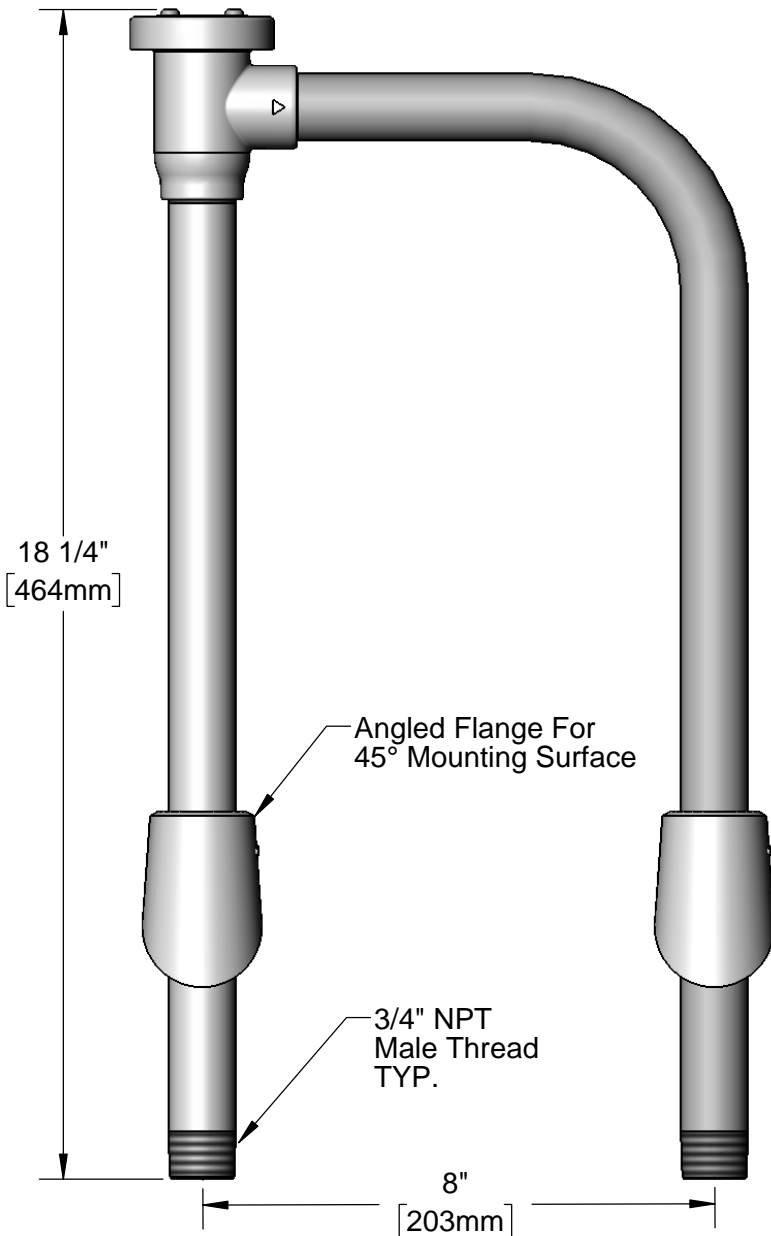
Job Name _____ Date _____

Model Specified _____ Quantity _____

Customer/Wholesaler _____

Contractor _____

Architect/Engineer _____

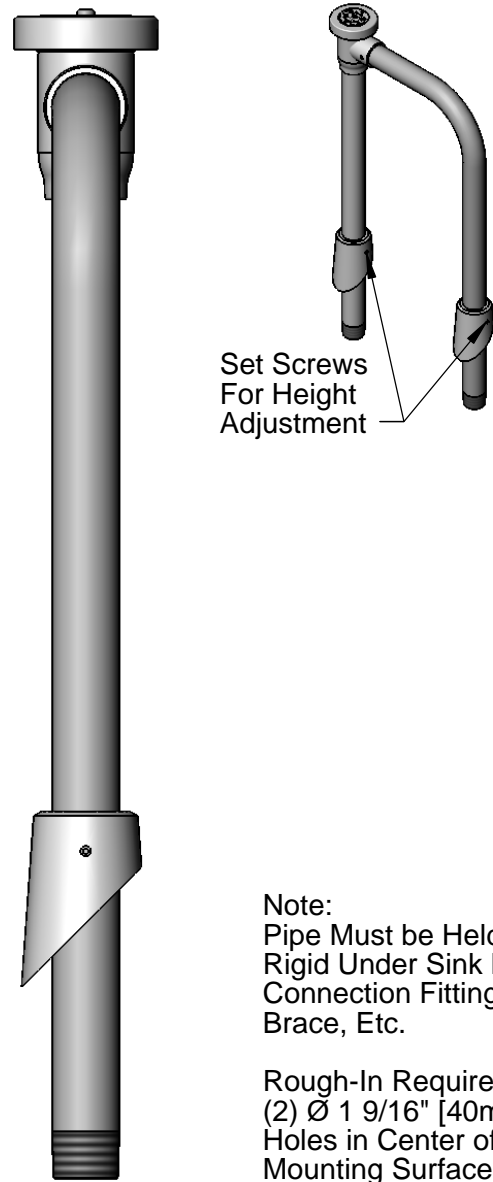


18 1/4"
[464mm]

Angled Flange For
45° Mounting Surface

3/4" NPT
Male Thread
TYP.

8"
[203mm]



Set Screws
For Height
Adjustment

Note:
Pipe Must be Held
Rigid Under Sink by
Connection Fittings,
Brace, Etc.

Rough-In Requirement:
(2) Ø 1 9/16" [40mm]
Holes in Center of 45°
Mounting Surface to
Slip 3/4" Pipe Through.

Product Specifications:
3/4" NPT Vacuum Breaker Unit, 8" Centers

Product Compliance:
ASME A112.18.1 / CSA B125.1
NSF 61 - Section 9
NSF 372 (Low Lead Content)
ASSE 1001