



# T&S BRASS AND BRONZE WORKS, INC.

2 Saddleback Cove / P.O. Box 1088  
Travelers Rest, SC 29690

Model No.

**B-0301**

Item No.

Travelers Rest, SC: 800-476-4103 • Simi Valley, CA: 800-423-0150 • Fax: 864-834-3518 • www.tsbrass.com



**ADA Compliant**

This Space for Architect/Engineer Approval

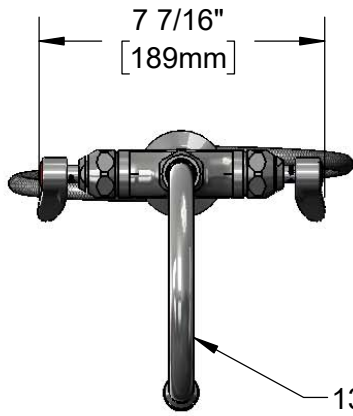
Job Name \_\_\_\_\_ Date \_\_\_\_\_

Model Specified \_\_\_\_\_ Quantity \_\_\_\_\_

Customer/Wholesaler \_\_\_\_\_

Contractor \_\_\_\_\_

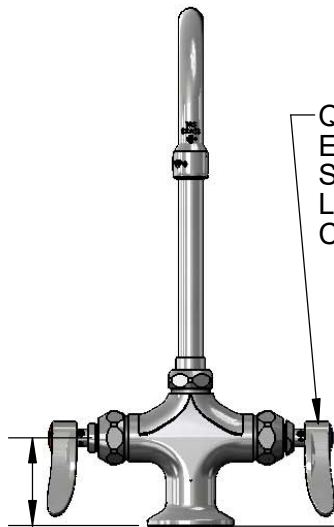
Architect/Engineer \_\_\_\_\_



7 7/16"  
[189mm]

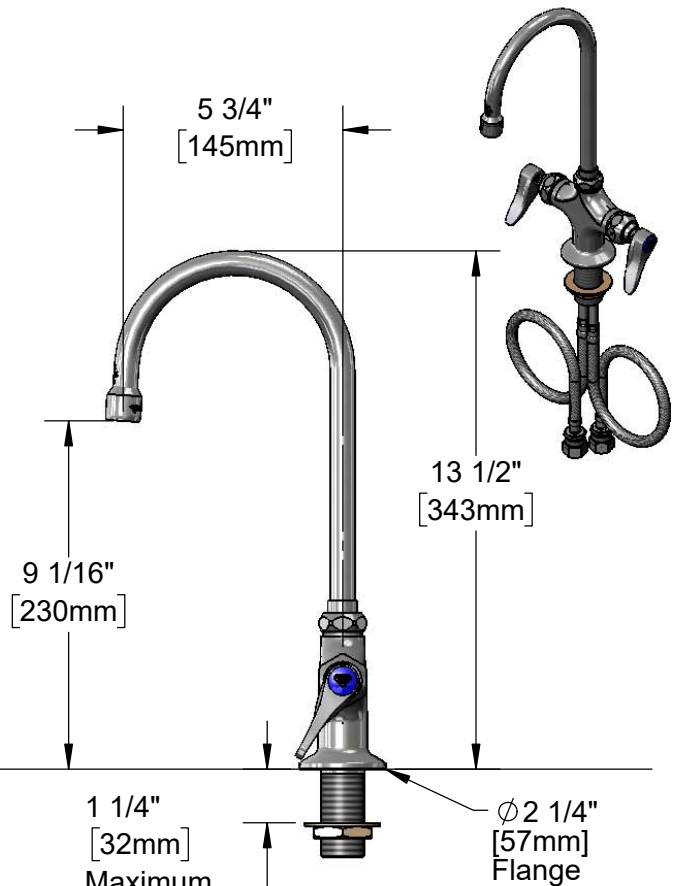
133X  
Swivel Gooseneck w/  
Stream Regulator Outlet.  
Converts to Rigid w/  
014200-45  
Lock Washer (Included).

Quarter-Turn  
Eterna Cartridges w/  
Spring Checks &  
Lever Handles w/  
Color Coded Indexes



2 5/16"  
[58mm]

Mounting Surface



5 3/4"  
[145mm]

13 1/2"  
[343mm]

9 1/16"  
[230mm]

1 1/4"  
[32mm]

Maximum  
Thickness

Ø2 1/4"  
[57mm]  
Flange

18" Flexible  
Stainless Steel  
Supply Hoses

Compression Fittings  
for 5/8" O.D. Copper Tubing  
(Remove Compression Nut  
for 1/2" NPSM Male)

**Rough-In Requirement:**  
Ø 1 1/2" [38mm] Mounting Hole

**Product Specifications:**

Single Hole Deck Mount Mixing Faucet, Quarter-Turn Eterna Cartridges w/ Spring Checks, Lever Handles, Swivel Gooseneck w/ Stream Regulator Outlet, 18" Flexible Stainless Steel Supply Hoses w/ 1/2" NPSM Male Inlets

**Product Compliance:**

ASME A112.18.1 / CSA B125.1  
NSF 61 - Section 9  
NSF 372 (Low Lead Content)  
ANSI A117.1 (ADA)

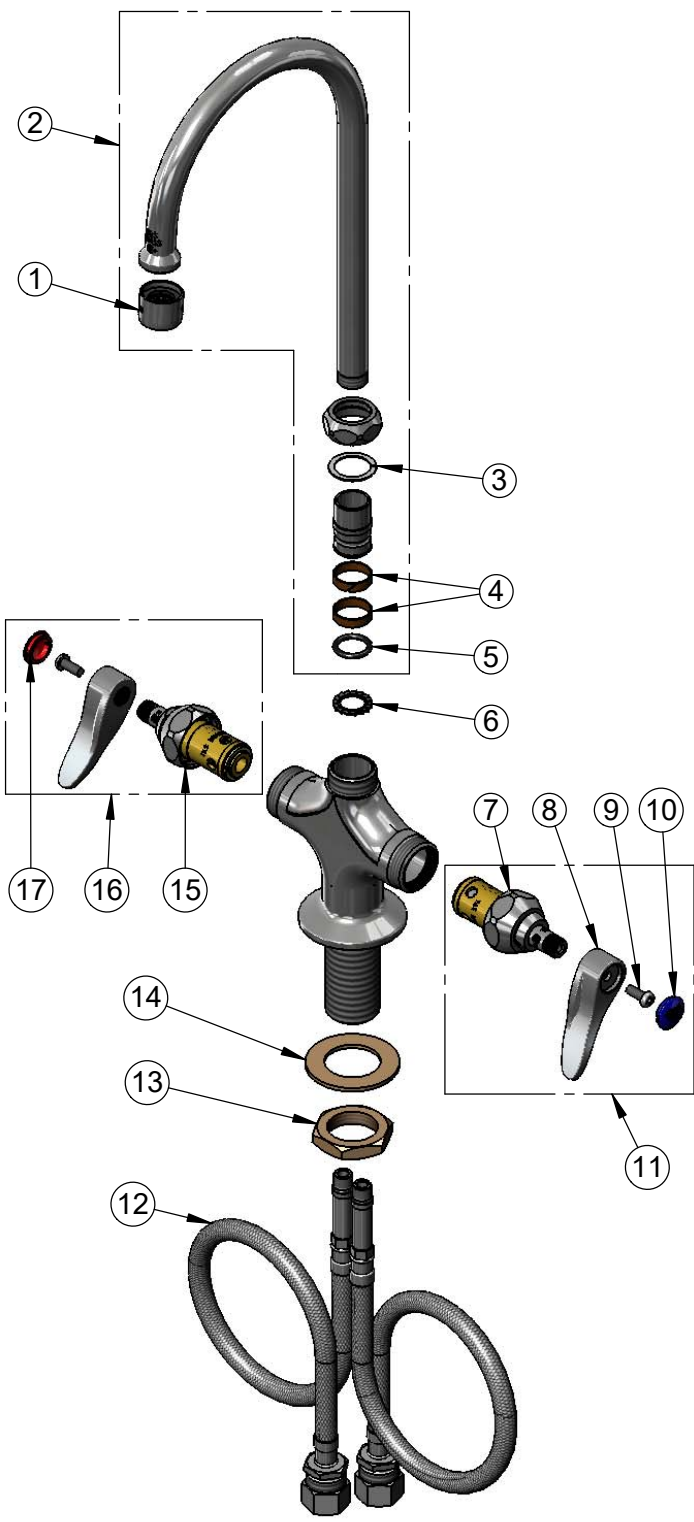


**T&S BRASS AND BRONZE WORKS, INC.**  
 2 Saddleback Cove / P.O. Box 1088  
 Travelers Rest, SC 29690

Model No.  
**B-0301**  
 Item No.

Travelers Rest, SC: 800-476-4103 • Simi Valley, CA: 800-423-0150 • Fax: 864-834-3518 • www.tsbrass.com

ITEM NO.	SALES NO.	DESCRIPTION
1	B-PT	Stream Regulator Outlet
2	133X	Swivel Gooseneck
3	009538-45	Swivel Washer
4	011429-45	Swivel Sleeves (2)
5	001074-45	O-Ring
6	014200-45	Star Washer, Anti-Rotation
7	012442-40NS	Quarter-Turn Eterna Cartridge w/ Spring Check, LTC
8	001638-45NS	Lever Handle (New Style)
9	000925-45	Lab Handle Screw
10	018506-19NS	Blue Button Index, Press-in
11	002711-40NS	Quarter-Turn Eterna Cartridge w/ Spring Check, Handle, Blue Index & Screw, LTC
12	012534-45	18" Flexible Supply Hose (2)
13	000965-45	Lock Nut
14	002290-45	Lock Washer
15	012443-40NS	Quarter-Turn Eterna Cartridge w/ Spring Check, RTC
16	002712-40NS	Quarter-Turn Eterna Cartridge w/ Spring Check, Handle, Red Index & Screw, RTC
17	001193-19NS	Red Button Index, Press-in



**Product Specifications:**  
 Single Hole Deck Mount Mixing Faucet, Quarter-Turn Eterna Cartridges w/ Spring Checks, Lever Handles, Swivel Gooseneck w/ Stream Regulator Outlet, 18" Flexible Stainless Steel Supply Hoses w/ 1/2" NPSM Male Inlets

**Product Compliance:**  
 ASME A112.18.1 / CSA B125.1  
 NSF 61 - Section 9  
 NSF 372 (Low Lead Content)  
 ANSI A117.1 (ADA)