



T&S BRASS AND BRONZE WORKS, INC.

2 Saddleback Cove / P.O. Box 1088
Travelers Rest, SC 29690

Model No.

B-0296-18DJ-CKP

Item No.

Travelers Rest, SC: 800-476-4103 • Simi Valley, CA: 800-423-0150 • Fax: 864-834-3518 • www.tsbrass.com



ADA Compliant

This Space for Architect/Engineer Approval

Job Name _____ Date _____

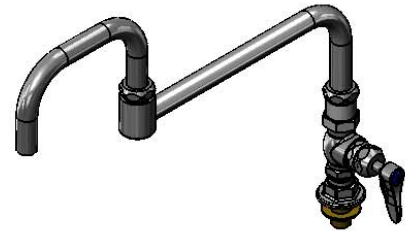
Model Specified _____ Quantity _____

Customer/Wholesaler _____

Contractor _____

Architect/Engineer _____

3 7/16"
[87mm]



BF-0178-A
18" Big-Flo
Double Joint
Nozzle w/
Plain End Outlet

Lever Handle w/
Blue (CW) Color
Index

6 1/2"
[165mm]

12"
[305mm]

Swivel Joint

Swivel Joint

11 9/16"
[294mm]

9 1/4"
[235mm]

2 9/16"
[65mm]

15 3/4"
[400mm]

1 7/16"
[37mm]

5/8"
[16mm]
Maximum
Thickness

Ø 2" [51mm]
Flange w/
1/2" NPT
Male Inlet

Rough-In Requirement:
Ø 1" [25mm] Mounting Hole

Product Specifications:

Single Hole Single Temperature Big-Flo Valve Faucet w/ Lever Handle, 18"
Big-Flo Double Joint Nozzle w/ Plain End Outlet & 1/2" NPT Male Inlet

Product Compliance:

ASME A112.18.1 / CSA B125.1
NSF 61 - Section 9
NSF 372 (Low Lead Content)
ANSI A117.1 (ADA)

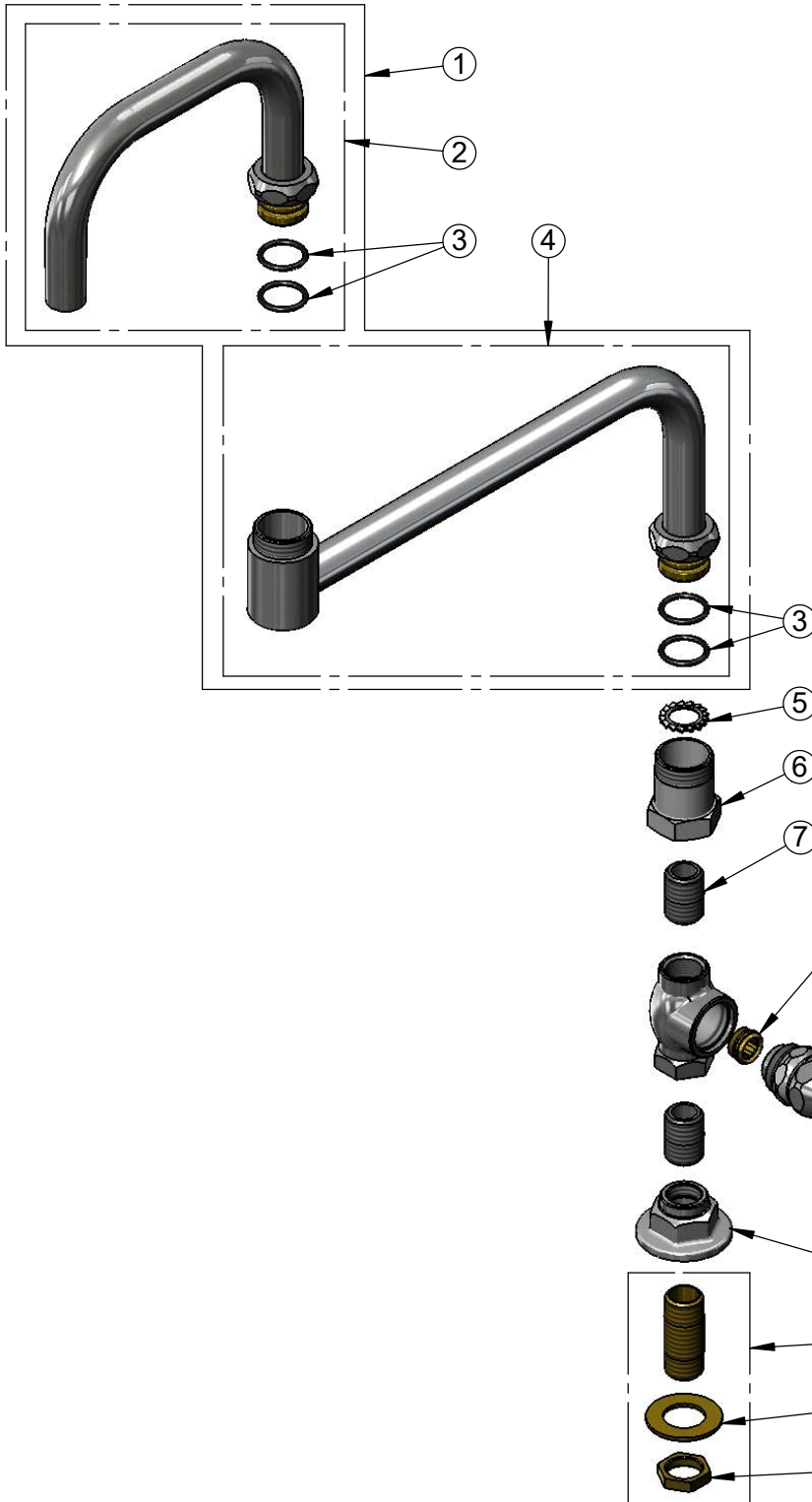


T&S BRASS AND BRONZE WORKS, INC.
 2 Saddleback Cove / P.O. Box 1088
 Travelers Rest, SC 29690

Model No.
B-0296-18DJ-CKP

Item No.

Travelers Rest, SC: 800-476-4103 • Simi Valley, CA: 800-423-0150 • Fax: 864-834-3518 • www.tsbrass.com



ITEM NO.	SALES NO.	DESCRIPTION
1	BF-0178-A	Big-Flo 18" Double Joint Swing Nozzle
2	BF-0153-X	Big-Flo 18" Double Joint, 6" Front Section
3	001068-45	O-ring
4	118X	Big-Flo 18" Double Joint, 12" Back Section
5	016807-45	Serrated Lock Washer
6	000594-25	Swivel Body x 1/2-14 NPT
7	002534-25	Close Nipple, 1/2" NPT
8	000764-20	Seat, Big-Flo
9	006482-40NS	Big-Flo Spindle, RTC
10	001638-45NS	Lever Handle (New Style)
11	000925-45	Lab Handle Screw
12	018506-19NS	Blue Button Index, Press-in
13	000013-40	Flange, 1/2" NPT Wall Mount
14	B-0425	1/2" NPT Supply Nipple Kit
15	000999-45	Brass Lock Washer
16	002954-45	Shank Lock Nut

Product Specifications:

Single Hole Single Temperature Big-Flo Valve Faucet w/ Lever Handle, 18" Big-Flo Double Joint Nozzle w/ Plain End Outlet & 1/2" NPT Male Inlet

Product Compliance:

ASME A112.18.1 / CSA B125.1
 NSF 61 - Section 9
 NSF 372 (Low Lead Content)
 ANSI A117.1 (ADA)