



T&S BRASS AND BRONZE WORKS, INC.
 2 Saddleback Cove / P.O. Box 1088
 Travelers Rest, SC 29690

Model No.
B-0205-CR-VB-QD

Item No.

Travelers Rest, SC: 800-476-4103 • Simi Valley, CA: 800-423-0150 • Fax: 864-834-3518 • www.tsbrass.com



ADA Compliant



This Space for Architect/Engineer Approval

Job Name _____ Date _____

Model Specified _____ Quantity _____

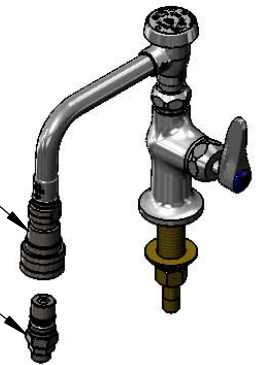
Customer/Wholesaler _____

Contractor _____

Architect/Engineer _____

Quick Disconnect
 Socket

Quick Disconnect
 Plug w/ 3/8"
 Compression (9/16-24 UN)
 Male Outlet Adapter

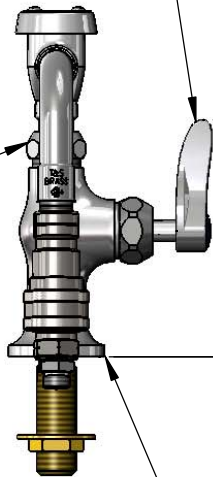


Quarter-Turn
 Cerama Cartridge w/
 Check Valve &
 Lever Handle w/
 Blue Color Coded Index

Swivel Vacuum
 Breaker Nozzle
 w/ 3/8" NPT
 Stainless Steel
 Quick Disconnect
 Outlet

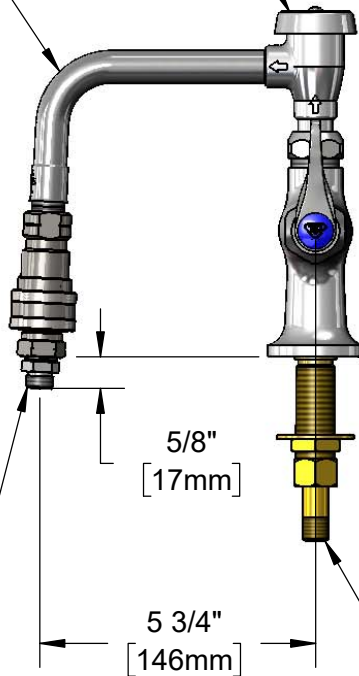
B-0968
 3/8" Vacuum
 Breaker

Swivel Joint
 Converts to Rigid w/
 014200-45
 Lock Washer
 (Included)



3/8" Compression
 (9/16-24 UN)
 Male Thread
 Connection

Ø 2" [51mm]
 Flange w/
 1/2" NPSM
 Male Inlet



7 3/16"
 [183mm]

5/8"
 [17mm]

5 3/4"
 [146mm]

1 5/8"
 [41mm]
 Maximum
 Thickness

150A
 Optional Tailpiece & Nut
 for 1/4" NPT Connection
 (Included)

Rough-In Requirement:
 Ø 1" [25mm] Mounting Hole

Product Specifications:

Single Hole Single Temperature Deck Mount Faucet, Quarter-Turn Cerama Cartridge w/ Check Valve, Lever Handle, Vacuum Breaker Nozzle, Quick Disconnect & 1/2" NPSM Male Inlet

Product Compliance:

ASME A112.18.1 / CSA B125.1
 NSF 61 - Section 9
 NSF 372 (Low Lead Content)
 ANSI A117.1 (ADA)
 ASSE 1001 (VB)



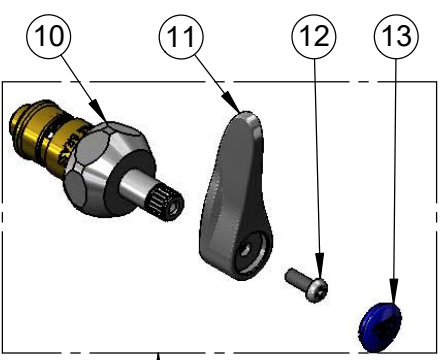
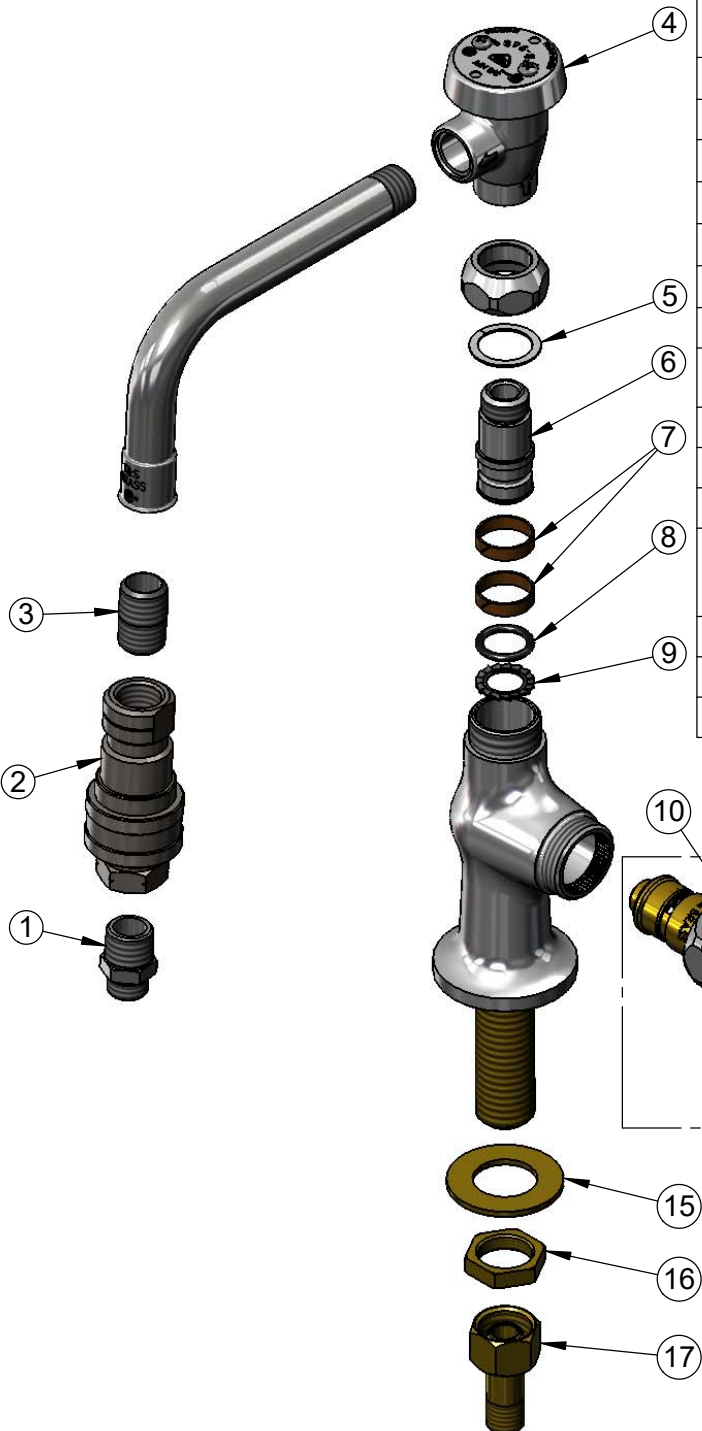
T&S BRASS AND BRONZE WORKS, INC.
 2 Saddleback Cove / P.O. Box 1088
 Travelers Rest, SC 29690

Model No.
B-0205-CR-VB-QD

Item No.

Travelers Rest, SC: 800-476-4103 • Simi Valley, CA: 800-423-0150 • Fax: 864-834-3518 • www.tsbrass.com

ITEM NO.	SALES NO.	DESCRIPTION
1	006101-45	Adapter, 3/8" NPT x 9/16"-24 UN Male
2	AW-5B	3/8" NPT Socket / Plug Water Quick Disconnect
3	002535-25	3/8" Close Nipple
4	B-0968	3/8" NPT Vacuum Breaker
5	009538-45	Swivel Washer
6	000843-25	Swivel Body
7	011429-45	Swivel Sleeves (2)
8	001074-45	O-Ring
9	014200-45	Star Washer, Anti-Rotation
10	012394-25NS	Quarter-Turn Cerama Cartridge w/ Check Valve, RTC
11	001638-45NS	Lever Handle (New Style)
12	000925-45	Lab Handle Screw
13	018506-19NS	Blue Button Index, Press-in
14	019641-25	Quarter-Turn Cerama Cartridge RTC w/ Check Valve, Handle, Blue Index & Screw
15	000999-45	Brass Lock Washer
16	002954-45	Shank Lock Nut
17	150A	1/4" NPT Tailpiece & Nut



Product Specifications:
 Single Hole Single Temperature Deck Mount Faucet, Quarter-Turn Cerama Cartridge w/ Check Valve, Lever Handle, Vacuum Breaker Nozzle, Quick Disconnect & 1/2" NPSM Male Inlet

Product Compliance:
 ASME A112.18.1 / CSA B125.1
 NSF 61 - Section 9
 NSF 372 (Low Lead Content)
 ANSI A117.1 (ADA)
 ASSE 1001 (VB)