



T&S BRASS AND BRONZE WORKS, INC.
 2 Saddleback Cove / P.O. Box 1088
 Travelers Rest, SC 29690

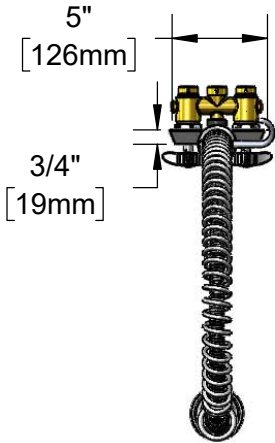
Model No.
B-0143

Item No.

Travelers Rest, SC: 800-476-4103 • Simi Valley, CA: 800-423-0150 • Fax: 864-834-3518 • www.tsbrass.com

This Space for Architect/Engineer Approval

Job Name _____ Date _____
 Model Specified _____ Quantity _____
 Customer/Wholesaler _____
 Contractor _____
 Architect/Engineer _____



44" Flexible
 Stainless Steel Hose,
 Spring & Spray Valve

Items Not Shown
 For Clarity

B-0107
 1.15 GPM
 Spray Valve

Finger Hook

3/8" NPT x 24"

EasyInstall
 Lock Nut &
 Bushing

Ø 2"
 [51mm]
 Swivel Deck Flange

9 5/8"
 [244mm]

14 1/16"
 [357mm]

Mounting Surface

39 3/16"
 [995mm]

1 11/16"
 [44mm]

150A
 Tailpiece & Nut
 Furnished for
 Optional 1/4" NPT
 Connection

1 1/8"
 [29mm]
 Maximum
 Thickness

4 15/16"
 [126mm]

B-0512
 Base Faucet w/ Eterna
 Cartridges, 4-Arm
 Handles & Color Coded
 Indexes

Piping Supplied
 By Customer

Rough-In Requirement:
 Ø 1" [25mm] Mounting Hole

Product Specifications:
 Swivel Flange Pre-Rinse Remote Control Valve & Spray Attachment

Product Compliance:
 ASME A112.18.1 / CSA B125.1
 NSF 61 - Section 9
 NSF 372 (Low Lead Content)
 2019 DOE PRSV - Class II

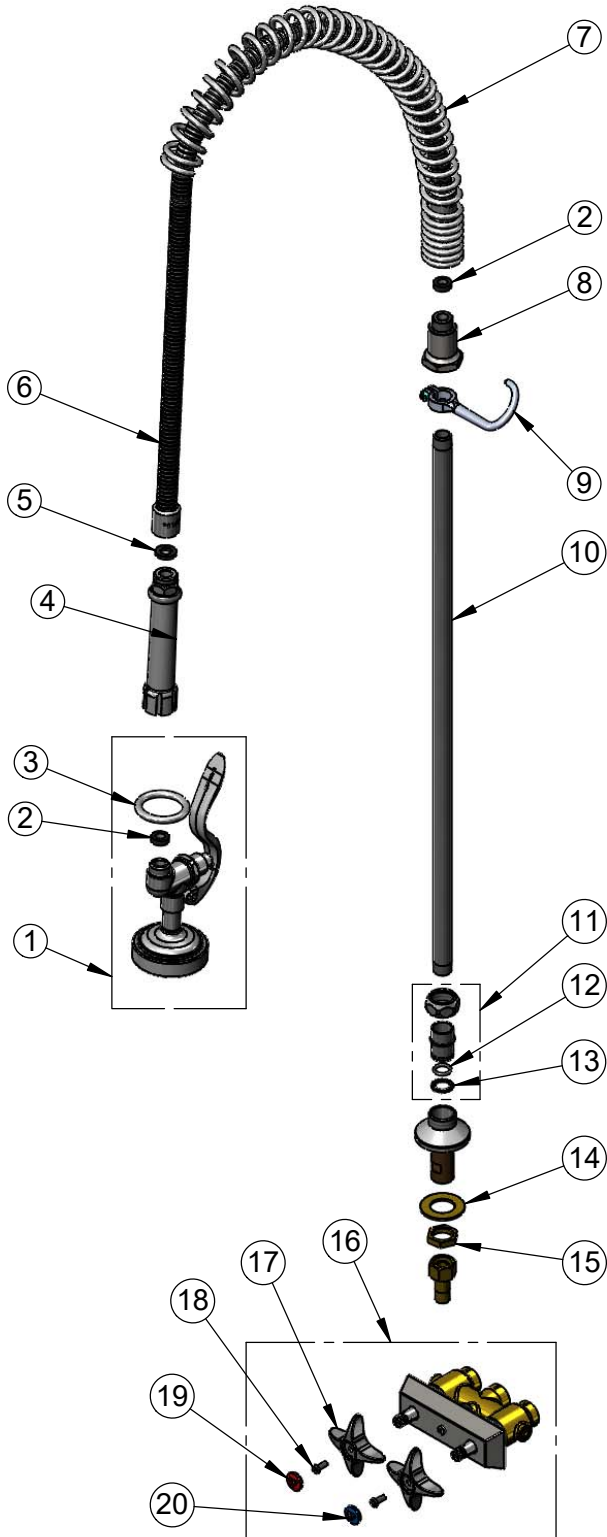


T&S BRASS AND BRONZE WORKS, INC.
 2 Saddleback Cove / P.O. Box 1088
 Travelers Rest, SC 29690

Model No.
B-0143

Item No.

Travelers Rest, SC: 800-476-4103 • Simi Valley, CA: 800-423-0150 • Fax: 864-834-3518 • www.tsbrass.com



ITEM NO.	SALES NO.	DESCRIPTION
1	B-0107	1.15 GPM Spray Valve
2	010476-45	#27 Washer
3	000907-45	Spray Valve Hold Down Ring
4	002987-40	Grip Handle
5	001014-45	Washer, B-0100 Hose Barrel
6	B-0044-H2A	Flexible Stainless Steel Hose, Less Handle
7	000888-45	EasyInstall Overhead Spring
8	000821-40	Spring Body
9	004R	Finger Hook
10	000372-40	3/8" NPT x 24" Riser
11	EZ-K	EasyInstall Kit
12	001065-45	O-Ring
13	014200-45	Star Washer, Anti-Rotation
14	000999-45	Brass Lock Washer
15	002954-45	Shank Lock Nut
16	B-0512	Concealed Mixing Valve
17	002521-45NS	4-Arm Handle (New Style)
18	000925-45	Lab Handle Screw
19	001193-19NS	Red Button Index, Press-in
20	018506-19NS	Blue Button Index, Press-in

Product Specifications:
 Swivel Flange Pre-Rinse Remote Control Valve & Spray Attachment

Product Compliance:
 ASME A112.18.1 / CSA B125.1
 NSF 61 - Section 9
 NSF 372 (Low Lead Content)
 2019 DOE PRSV - Class II