



T&S BRASS AND BRONZE WORKS, INC.

2 Saddleback Cove / P.O. Box 1088
Travelers Rest, SC 29690

Model No.

B-0123-12CRCVBC

Item No.

Travelers Rest, SC: 800-476-4103 • Simi Valley, CA: 800-423-0150 • Fax: 864-834-3518 • www.tsbrass.com

This Space for Architect/Engineer Approval

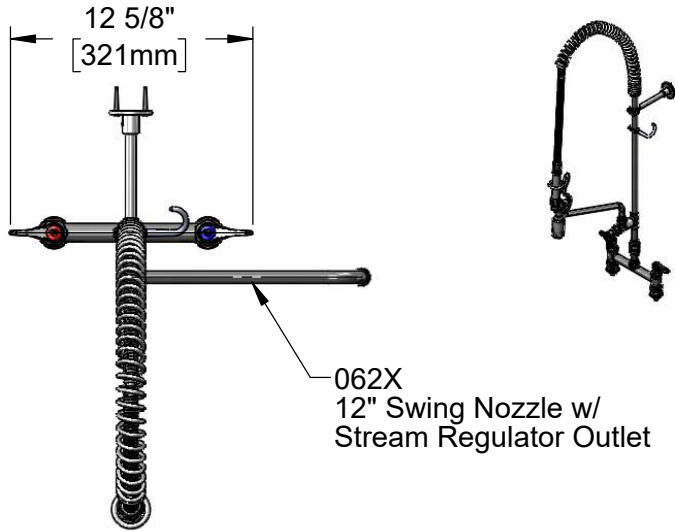
Job Name _____ Date _____

Model Specified _____ Quantity _____

Customer/Wholesaler _____

Contractor _____

Architect/Engineer _____



44" Flexible Stainless Steel Hose w/ Spring & Spray Valve

Items Not Shown for Clarity

3/8" NPT x 20" Riser

Finger Hook

B-0107-C
0.65 GPM
Low Flow
Spray Valve



2 5/16"
[59mm]

B-0109-01
6" Wall
Bracket

45 3/16"
[1147mm]

B-0970-FEZ
Vacuum
Breaker

12"
[305mm]

17 1/4"
[438mm]

14 3/16"
[360mm]

Add-On Faucet
w/ Quarter-Turn
Cerama Cartridge
& Lever Handle

5 1/8"
[130mm]

14 1/2"
[368mm]

14 1/8"
[358mm]

Mounting
Surface

8"
[203mm]

Quarter-Turn Cerama
Cartridges w/ Check
Valves & Lever Handles
w/ Color Coded Indexes

1 5/16" [33mm]
Hex Flanges w/
1/2" NPT
Male Inlets

Product Specifications:

EasyInstall Pre-Rinse Unit:
8" Deck Mount Mixing Faucet, Quarter-Turn Cerama Cartridges w/ Check Valves, Lever Handles, Add-On Faucet w/ 12" Swing Nozzle, 20" Riser, 44" Flexible Stainless Steel Hose, 0.65 GPM Low Flow Spray Valve, 6" Wall Bracket, Vacuum Breaker & 1/2" NPT Male Inlets

Product Compliance:

ASME A112.18.1 / CSA B125.1
NSF 61 - Section 9
NSF 372 (Low Lead Content)
CSA B64.8 (VB)
EPA Act 2005 (PRSV)
EPA WaterSense (PRSV)



T&S BRASS AND BRONZE WORKS, INC.

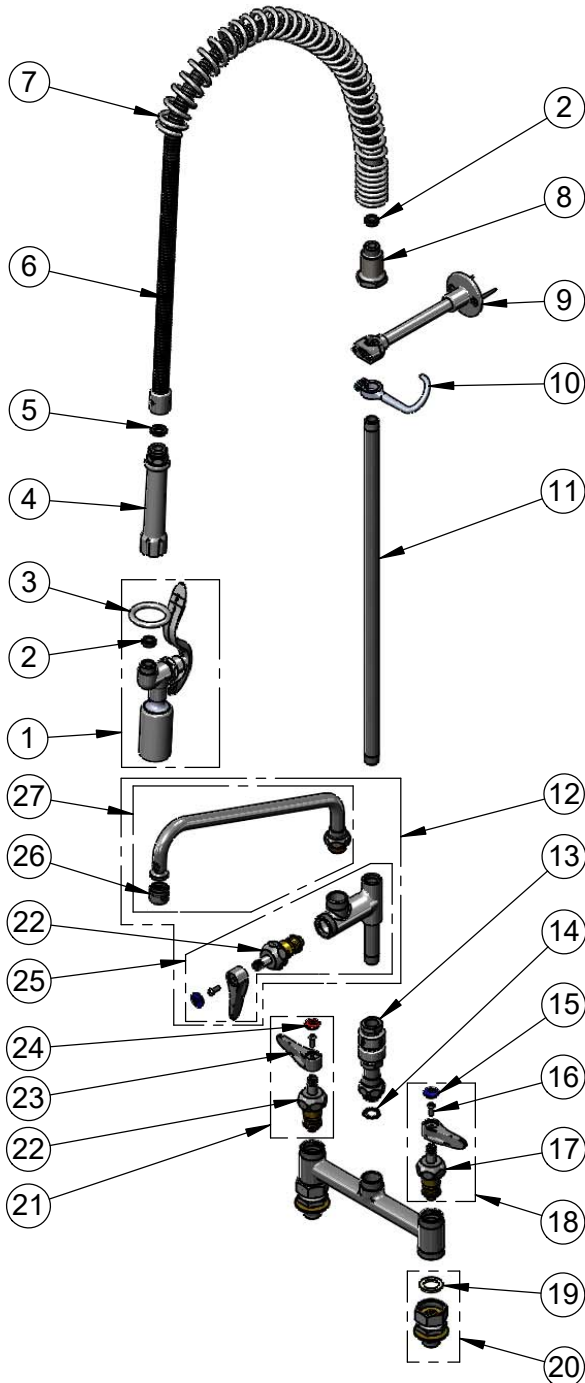
2 Saddleback Cove / P.O. Box 1088
Travelers Rest, SC 29690

Model No.

B-0123-12CRCVBC

Item No.

Travelers Rest, SC: 800-476-4103 • Simi Valley, CA: 800-423-0150 • Fax: 864-834-3518 • www.tsbrass.com



ITEM NO.	SALES NO.	DESCRIPTION
1	B-0107-C	0.65 GPM Low Flow Spray Valve
2	010476-45	#27 Washer
3	000907-45	Spray Valve Hold Down Ring
4	002987-40	Grip Handle
5	001014-45	Washer, B-0100 Hose Barrel
6	B-0044-H2A	44" Flexible Stainless Steel Hose, Less Handle
7	000888-45	EasyInstall Overhead Spring
8	000821-40	Spring Body
9	B-0109-01	6" Wall Bracket
10	004R	Finger Hook
11	000370-40	Nipple, 3/8" NPT x 20"
12	B-0156-CR	Add-On Faucet, Quarter-Turn Cerama Cartridge & Lever Handle, 12" Swing Nozzle
13	B-0970-FEZ	EasyInstall 3/8" NPT Vacuum Breaker
14	014200-45	Star Washer, Anti-Rotation
15	018506-19NS	Blue Button Index, Press-in
16	000925-45	Lab Handle Screw
17	012395-25NS	Quarter-Turn Cerama Cartridge w/ Check Valve, LTC
18	012447-25NS	Quarter-Turn Cerama Cartridge w/ Check Valve, Handle, Blue Index & Screw, LTC
19	001019-45	Coupling Nut Washer
20	00CC	1/2" NPT Male Inlet Flange
21	012446-25NS	Quarter-Turn Cerama Cartridge w/ Check Valve, Handle, Red Index & Screw, RTC
22	012394-25NS	Quarter-Turn Cerama Cartridge w/ Check Valve, RTC
23	001638-45NS	Lever Handle (New Style)
24	001193-19NS	Red Button Index, Press-in
25	B-0155-CR-LN	Add-On Faucet, Quarter-Turn Cerama Cartridge & Lever Handle, Less Nozzle
26	B-PT	Full Flow Stream Regulator, 55/64-27
27	062X	12" Swing Nozzle

Product Specifications:

EasyInstall Pre-Rinse Unit:
8" Deck Mount Mixing Faucet, Quarter-Turn Cerama Cartridges w/ Check Valves, Lever Handles, Add-On Faucet w/ 12" Swing Nozzle, 20" Riser, 44" Flexible Stainless Steel Hose, 0.65 GPM Low Flow Spray Valve, 6" Wall Bracket, Vacuum Breaker & 1/2" NPT Male Inlets

Product Compliance:

ASME A112.18.1 / CSA B125.1
NSF 61 - Section 9
NSF 372 (Low Lead Content)
CSA B64.8 (VB)
EPA Act 2005 (PRSV)
EPA WaterSense (PRSV)