



Limited One Year Warranty
T&S warrants to the original purchaser (other than for purposes of resale) that such product is free from defects in material and workmanship for a period of one (1) year from the date of purchase. During this one-year warranty period, if the product is found to be defective, T&S shall, at its options, repair and/or replace it. To obtain warranty service, products must be returned to...

T&S Brass and Bronze Works, Inc.
Attn: Warranty Repair Department
2 Saddleback Cove
Travelers Rest, SC 29690

Shipping, freight, insurance, and other transportation charges of the product to T&S and the return of repaired or replaced product to the purchaser are the responsibility of the purchaser. Repair and/or replacement shall be made within a reasonable time after receipt by T&S of the returned product. This warranty does not cover items which have received secondary finishing or have been altered or modified after purchase, or for defects caused by physical abuse to or misuse of the product, or shipment of the products.

Any express warranty not provided herein, and any remedy for Breach of Contract which might arise, is hereby excluded and disclaimed. Any implied warranties of merchantability or fitness for a particular purpose are limited to one year in duration. Under no circumstances shall T&S be liable for loss of use or any special consequential costs, expenses or damages.

Some states do not allow limitations on how long and implied warranty lasts or the exclusion or limitation of incidental or consequential damages, so the above limitations or exclusions may not apply to you. Specific rights under this warranty and other rights vary from state to state.

P/N: 098-012368-45
Date: 990520
Drawn: CW
Checked: MAB 8-10-99
Approved: MVW 8-6-99

Installation and Maintenance Instructions



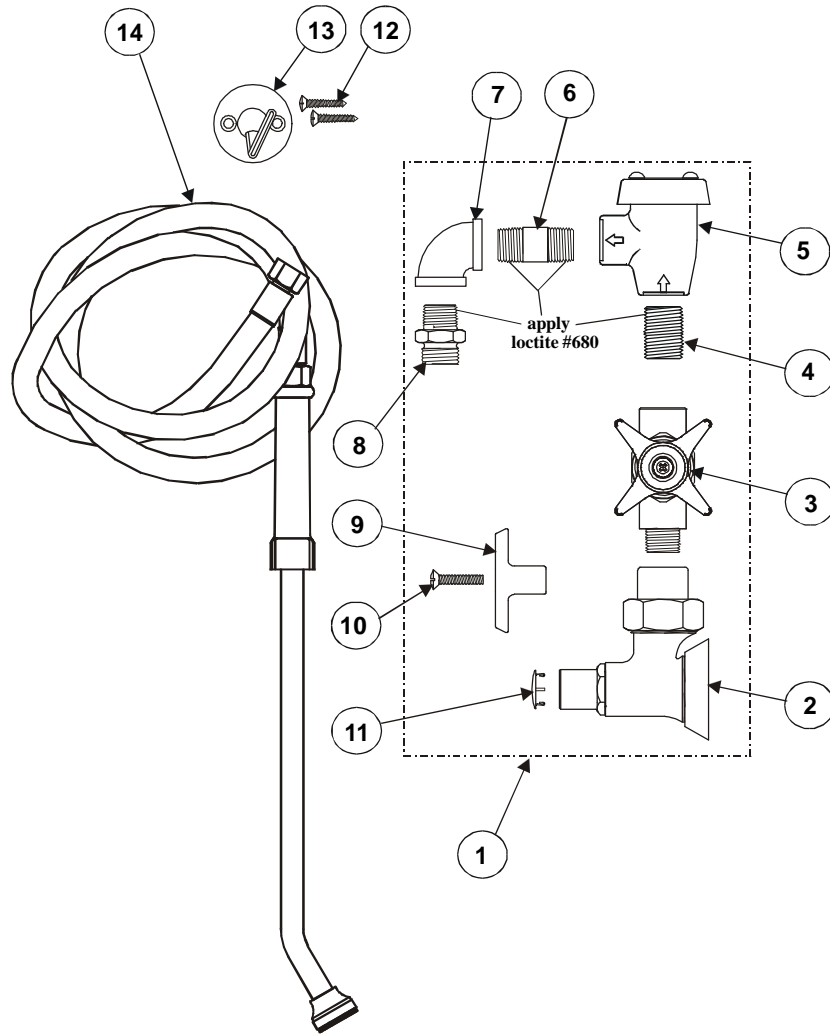
Bed Pan Washer B-0679 (shown B-0678)

**Deutsch: Installations- und
Wartungsanleitungen**

**Español: la Instalación y las
Instrucciones de
Mantenimiento**

**Français: les Instructions
d'Installation et
d'Entretien**

Exploded View



* Some items are listed for instructional purposes and may not be sold as separate parts.

Part Number Guide

Bedpan Washer Assembly

1	Asm, Commercial Faucet w/ VB	B0678
2	Asm, Loose Key Ngl Stop	*
3	Asm, Straight Stop (Lav)	*
4	Nipple, Close 3/8 NPT	002535-25
5	Asm, Vacuum Breaker 3/8	005256-40
6	Nipple, 3/8 x 1-1/2	*
7	Elbow, Cast Round 3/8	001355-40
8	Adapter, 3/8 MA x 3/4-14 MA	000545-25
9	T' Handle for Supply Stops	001802-45
10	Screw, Loose Key Stop	002432-45
11	Cap, Key Stop	001605-45
12	Screw, Wall Hook	000915-45
13	Dummy Wall Hook	B-104D
14	Asm, Spray Nozzle & Hose	B-0691

General Instructions

Faucet Installation:

1. Shut off water supply and drain lines. Drill a 7/8" [2.2 cm] hole in wall or backsplash of sink where you are installing no.1.

Apply teflon tape or pipe joint compound to threads of water supply lines.

2. Attach no.2 to supply lines flush against wall. Tighten by hand. ***Trim supply lines if necessary.***

Note: If you are repairing or replacing parts use these instructions:

1. Apply Loctite #680 to threads of no.3, no.4, no.6, and no.8.

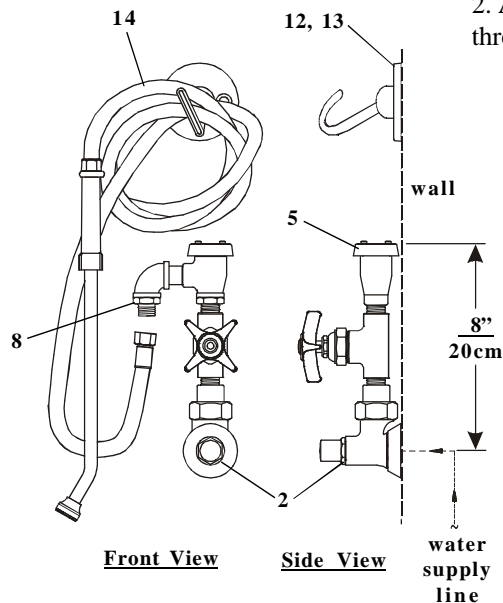
2. Insert and thread no.3 into no.2. Thread one end of no.4 into no.3, the other end into no.5, follow the same procedure for no.6. ***Remember to apply Loctite on each end of no.4 and no.6,*** then rotate no.5 until tight and facing side of sink.

3. Turn on water supply and check for leaks.

Mounting Hose Hook:

1. Position no.13 against wall. Mark holes and secure no.13 to wall using no.12.

2. Attach no.14 (hose end) to threads of no.8.



Instrucciones Generales

Instalación de la Canilla:

1. Cierre la fuente de agua y desagüe las tuberías. Perfore un hueco de 7/8" [2.2 cm] en la pared o el espaldar del lavatorio donde será instalada la parte No.1. Aplique cinta de Teflon o compuesto de coyuntura a las roscas de las líneas de surtido.

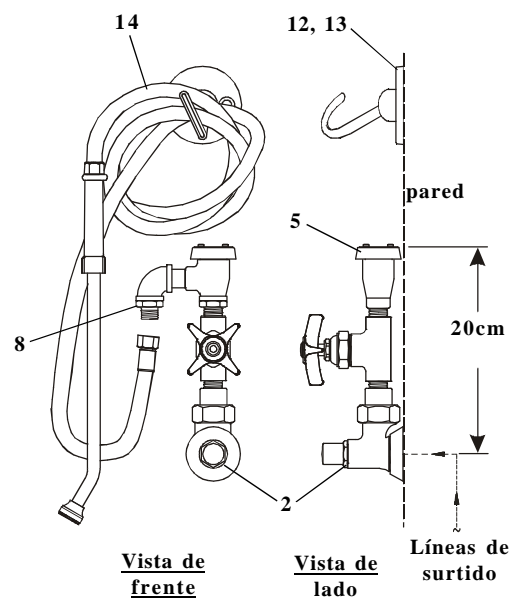
2. Junte la parte No.2 a la tubería de surtido arras contra la pared. Apriete a mano. ***Si es necesario recorte las líneas de surtido.***

Nota: Utilice las siguientes instrucciones si esta reparando o reemplazando partes:

1. Aplique Loctite #680 a las roscas de las partes No.3, No.4, No.6 y No.8.

2. Inserte y enrosque la parte No.3 dentro de la parte No.2. Enrosque un extremo de la parte No.4 dentro de la parte No.3, el otro extremo dentro de la parte No.5, continúe el mismo procedimiento para la parte No.6. ***Recuerde aplicar Loctite a ambos extremos de la partes No.4 y No.6,*** luego gire la parte No.5 hasta que quede apretada y orientada hacia el lado del lavatorio.

3. Abra la fuente de agua e inspeccione por filtraciones.



Montadura De Gancho Para Manguera:

1. Coloque la parte No.13 contra la pared. Indique los huecos y asegure la parte No.13 a la pared utilizando las partes No.12.

2. Junte la parte No.14 (extremo con manguera) a las roscas de la parte No.8.

Instructions Générales

L'Installation Du Robinet:

1. Fermer la réserve de l'eau et égoutter la tuyauterie. Percer un trou avec un diamètre de 2.2 cm. dans le mur ou le garde-boue de l'évier où vous aller installer N°.1.

Appliquer le ruban en Téflon ou le composé pour les tuyaux aux filets des tuyaux qui fournir l'eau.

2. Attacher N°.2 aux filets des tuyaux qui fournir l'eau de niveau avec le mur. Resserrer par le main. *Couper un peu les tuyaux qui fournir l'eau si nécessaire.*

Noter: Si vous réparer ou remplacer les parties utiliser ces instructions:

1. Appliquer Loctite #680 aux filets de N°.3, N°.4, N°.6, et N°.8.

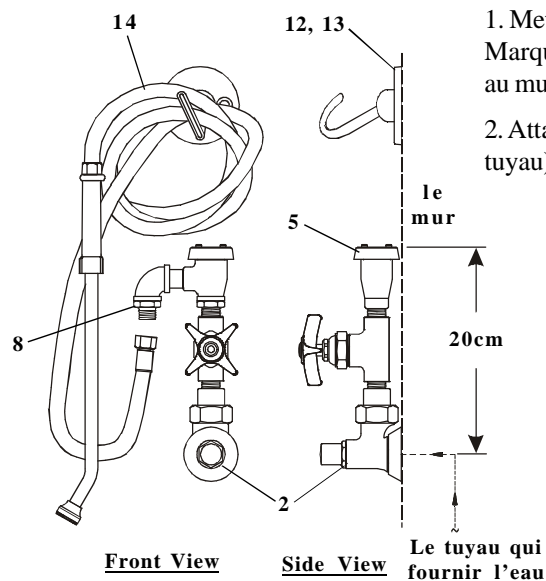
2. Insérer N°.3 dans N°.2. Insérer un extrémité de N°.4 dans N°.3, l'autre extrémité dans no.5, suivre le même processus pour N°.6. *N'oublier pas d'appliquer Loctite sur chaque extrémité de N°.4 and N°.6*, puis tourner hen rotate N°.5 jusqu'il être bien serrer et vers le côté de l'évier.

3. Recommencer l'eau et vérifier s'il y a des fuites

Poue Monter L'Agrafe Du Tuyau:

1. Mettre N°.13 contre le mur. Marquer les trous et attacher N°.13 au mur en utilisant N°.12.

2. Attacher N°.14 (l'extrémité du tuyau) aux filets de N°.8.



Allgemeine Anleitungen

Installation des Hahnes:

1. Wasserzufuhr abstellen und Rohre leerlaufen lassen. Zwei Löcher mit einem Durchmesser von 2.2 cm in die Wand oder den Spritzschutz des Beckens bohren, an der Nr. 1 installiert wird.

Teflonband oder Rohrkitt zum Gewinde der Wasserzufuhrleitung auftragen.

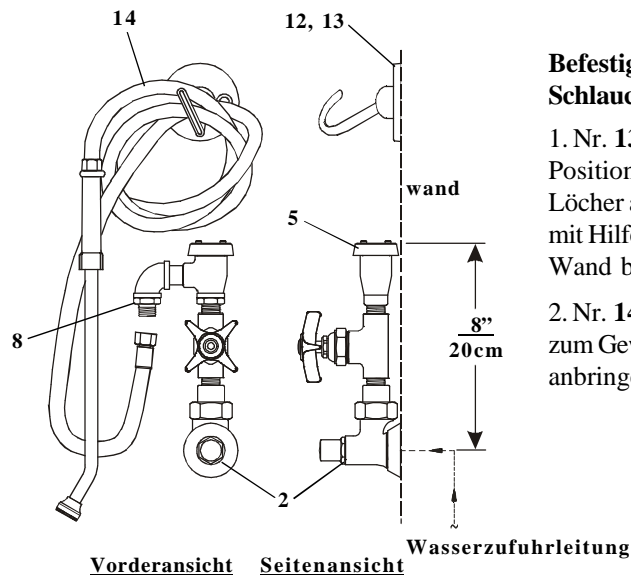
2. Befestigen Sie Nr. 2 zur Zufuhrleitung, sodaß diese fest an der Wand ansitzt. Von Hand festziehen. **Falls nötig Wasserzufuhrleitungen entsprechend kürzen.**

Hinweis: Beachten Sie die folgenden Hinweise, falls Sie Teile des Wasserhahnes reparieren oder ersetzen:

1. Loctite #680 auf die Gewinde von Nr. 3, Nr. 4, Nr. 6 und Nr. 8 auftragen.

2. Nr. 3 in Nr. 2 einführen und aufschrauben. Schrauben Sie ein Ende der Nr. 4 in Nr. 3 ein, und das andere Ende in Nr. 5. Folgen Sie derselben Prozedur für Nr. 6. **Vergessen Sie nicht Loctite an beide Enden der Nr. 4 und Nr. 6 aufzutragen,** dann Nr. 5 andrehen, bis dieses fest ist, und zur Vorderseite des Beckens zeigt.

3. Wasserzufuhr andrehen und auf Dichtheit prüfen.



Befestigung des Schlauchhakens:

1. Nr. 13 in die gewünschte Position an die Wand halten. Löcher anzeichnen und Nr. 13 mit Hilfe von Nr. 12 an der Wand befestigen.

2. Nr. 14 (das Schlauchende) zum Gewinde von Nr. 8 anbringen.

RELATED T&S BRASS PRODUCT LINE



**B-0687
Bedpan Washer
w/ Single Pedal Valve**



**B-0677
Bedpan Washer
w/ Double Pedal Valve**

T&S BRASS AND BRONZE WORKS, INC.

A firm commitment to application-engineered plumbing products

2 Saddleback Cove, P.O. Box 1088,
Travelers Rest, SC 29690

Phone: (864) 834-4102
Fax: (864) 834-3518

E-mail: tsbrass@tsbrass.com

T & S Brass-Europe
'De Veenhoeve'
Oude Nieuwveenseweg 84
2441 CW Nieuwveen
The Netherlands

